



# Single Handle 4" Lavatory Faucet HB5410 / HB5210 / HB5110

## Description

- Single handle 4" center set lavatory
- Zinc die-cast housing
- Stainless steel ball washerless valve
- Brass pop-up
- 1/2" NPS connections
- 2.0 GPM ASME complaint



## Standards

- ASME A112.18.1 Compliant
- Listed IAPMO / UPC & CUPC
- ADA Accessibility Guidelines for Buildings and Facilities - 4.27.4 Controls and Mechanisms (lever handle only)
- NSF - 61-9 tested and approved
- CSA B125.1 Compliant and listed



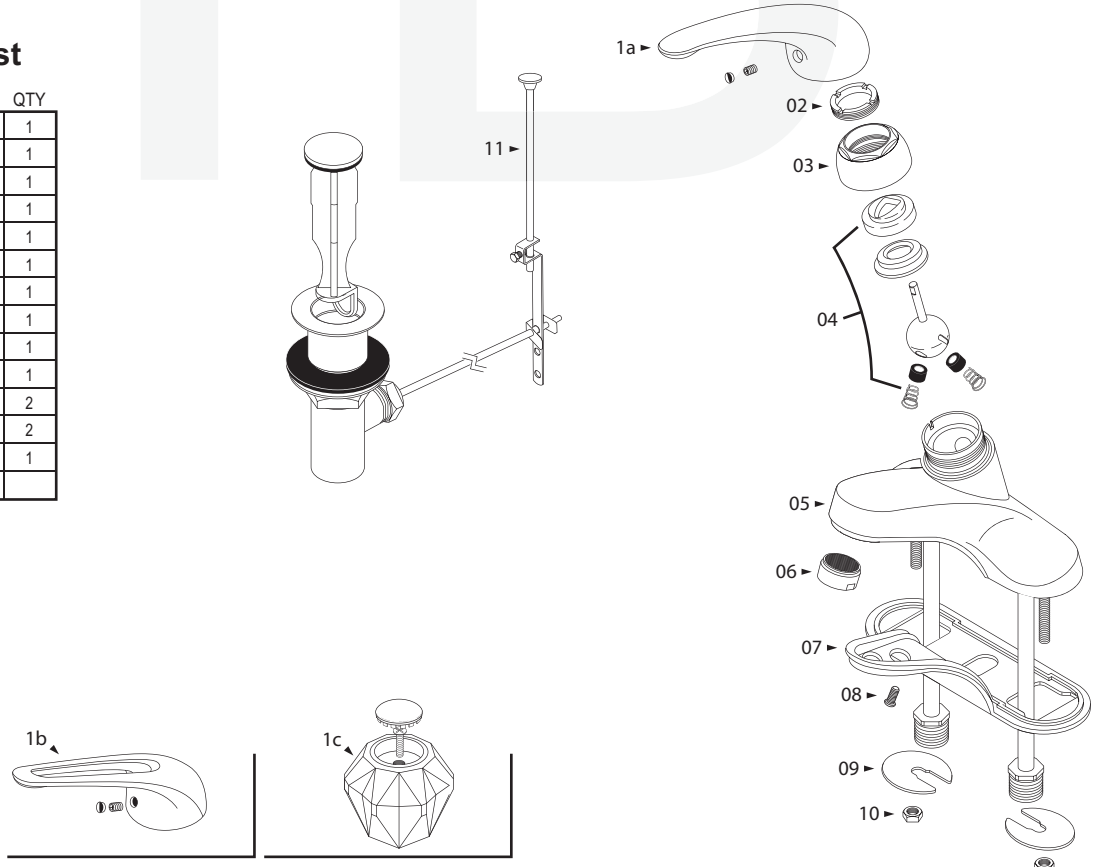
## Colors / Finishes

- C - Chrome
- NK - Satin Nickel

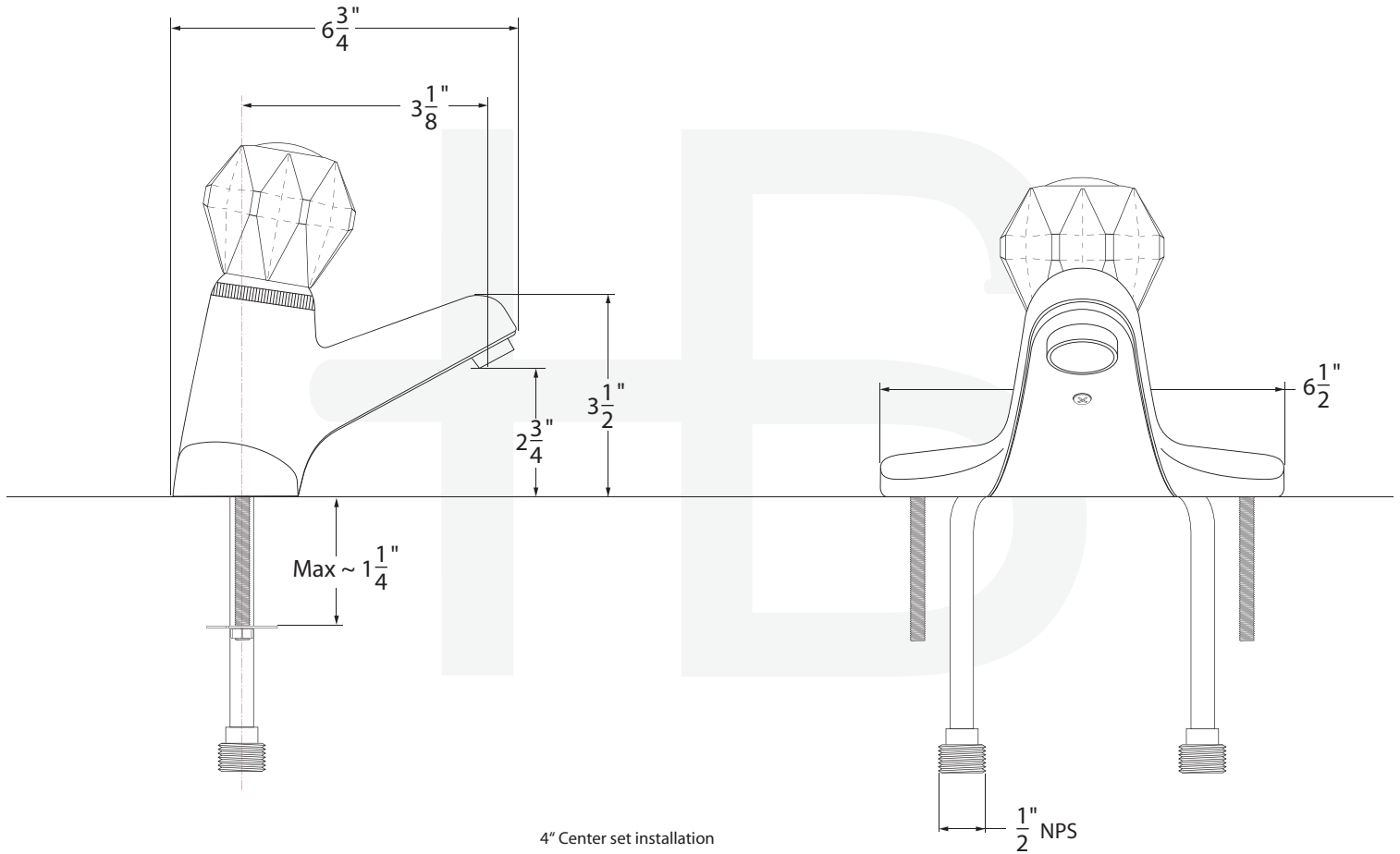
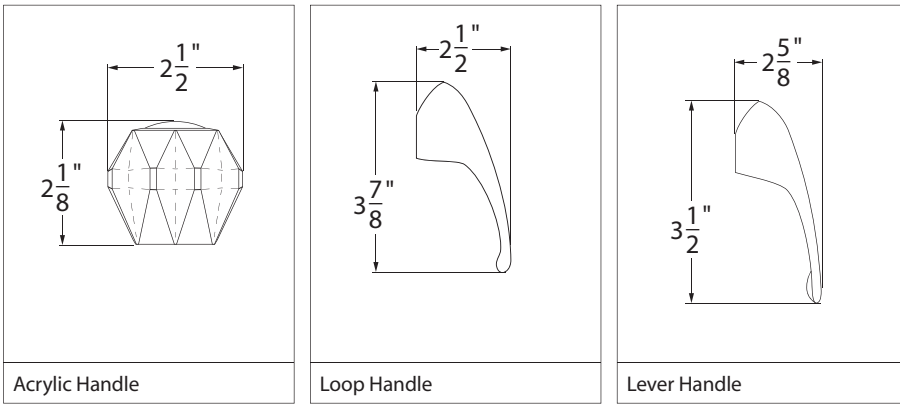
Special Handle Option  
Acrylic / Lever / Loop

## BREAK DOWN Component Parts List

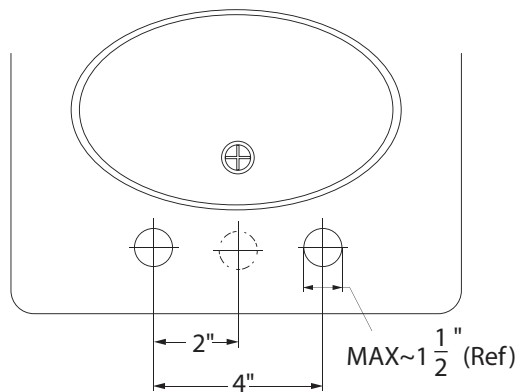
#	PART NAME	QTY
1a	LEVER HANDLE (HB5410)	1
1b	LOOP HANDLE (HB5110)	1
1c	ACRYLIC HANDLE (HB5210)	1
2	CARTRIDGE RETAINING NUT	1
3	CAP	1
4	CARTRIDGE ASSEMBLY	1
5	VALVE BODY & HOUSING	1
6	AERATOR	1
7	UNDER PLATE	1
8	SCREW	1
9	MOUNTING WASHER	2
10	MOUNTING NUT	2
11	POP-UP ASSEMBLY	1



# SPECIFIED MODEL - Handle Options



4" Center set installation



Item Number	Type	Date
HB5110 / HB5210 / HB5410	Single Handle Lavatory	01/29/2006