



# SPECIFICATION / BREAK DOWN

## Single Handle 4" Lavatory HB5130 / HB5230 / HB5330

### Description

- 4" center lavatory faucet
- Zinc die cast housing
- Stainless steel ball washerless valve
- 1/2" NPS connections
- 2.0 GPM ASME complaint



• HB5130



• HB5230



• HB5330

### Standards

- ASME A112.18.1 Compliant
- Listed IAPMO / UPC
- ADA Accessibility Guidelines for Buildings and Facilities - 4.27.4 Controls and Mechanisms (lever handles only)
- NSF - 61-9 tested and approved
- CSA B125.1 Compliant and listed



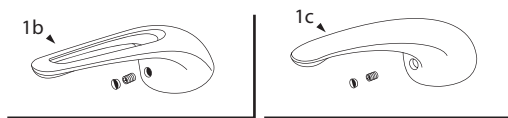
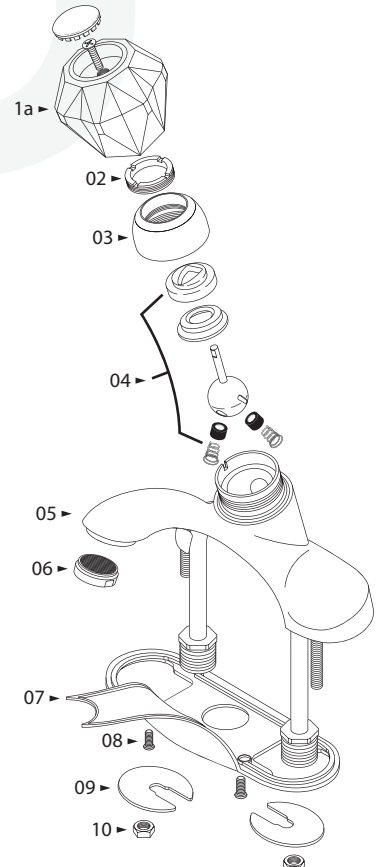
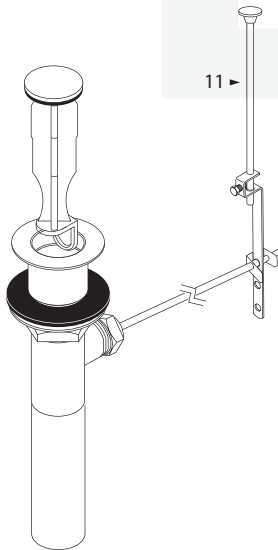
### Colors / Finishes

- C - Chrome
- NK - Satin Nickel

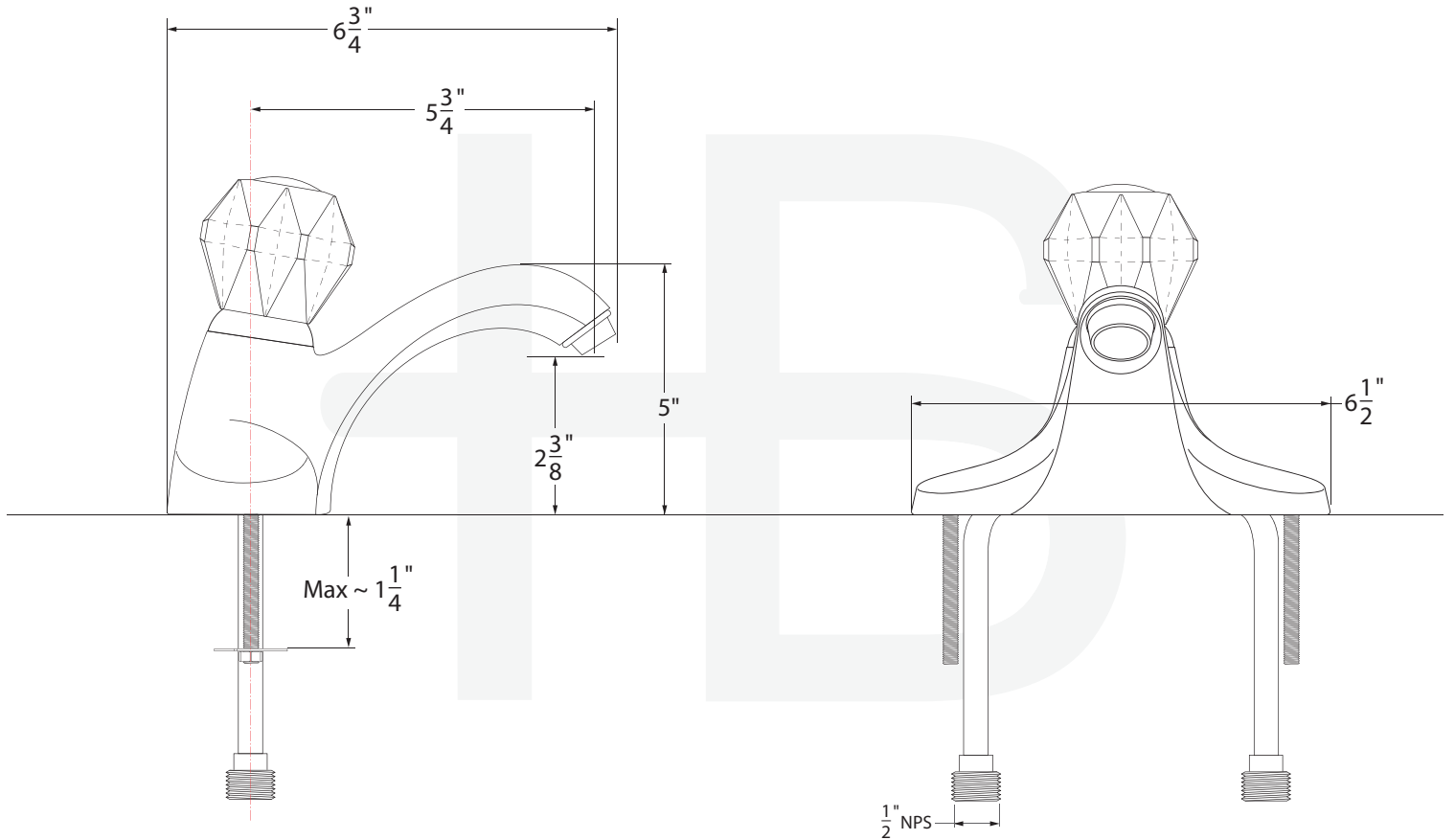
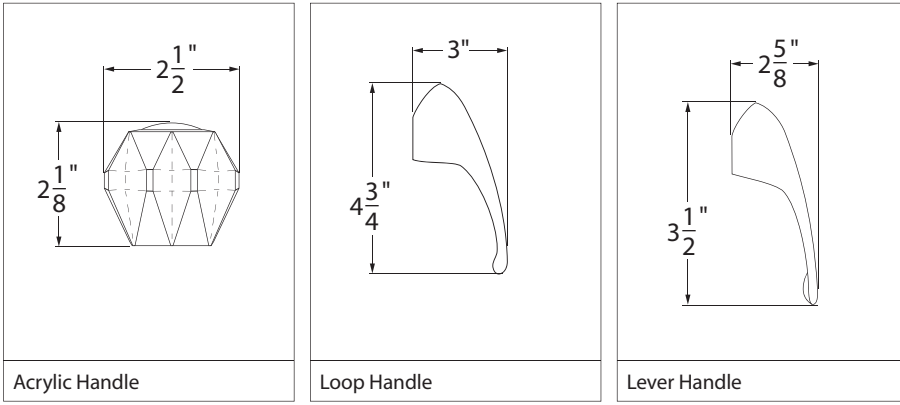
Special Handle Option  
Lever / Loop / Acrylic

## BREAK DOWN Component Parts List

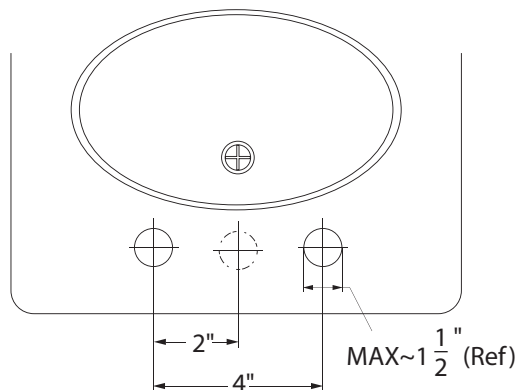
#	PART NAME	QTY
1a	ACRYLIC HANDLE (HB5230)	1
1b	LOOP HANDLE (HB5130)	1
1c	LEVER HANDLE (HB5330)	1
2	CARTRIDGE RETAINING NUT	1
3	CAP	1
4	S.S. BALL CARTRIDGE	1
5	VALVE BODY & HOUSING	1
6	AERATOR	1
7	UNDER PLATE	1
8	SCREWS	2
9	MOUNTING WASHERS	2
10	MOUNTING NUTS	2
11	POP-UP ASSEMBLY	1



# SPECIFIED MODEL - Handle Options



4" Center set installation



Item Number	Type	Date
HB5130 / HB5230 / HB5330	Single Handle Lavatory	01/29/2006