



KITCHEN - Single Hole Faucet GT2610 / GT2620

Description

- Lavatory / Kitchen faucet
- Ceramic disc cartridge
- Brass lever handles
- Single brass handle w/ volume control
- 9.5" H brass tubular spout
- * GT1420 - w/4" base extension for use w/ ceramic basin

Standards

- ASME A112.18.1 Compliant
- Listed IAPMO / UPC & CUPC
- ADA Accessibility Guidelines for Buildings and Facilities - 4.27.4 Controls and Mechanisms (lever handle only)
- NSF - 61-9 tested and approved
- CSA B125.1 Compliant and listed



Colors / FinishES

- | | |
|---------------------|----------------------------|
| 01 - Chrome | 29 - Polished Nickel |
| 12 - Satin Nickel | 70 - Polished Brass (PVD) |
| 20 - Antique Bronze | 71 - Polished Nickel (PVD) |
| 21 - Antique Brass | 72 - Satin Nickel (PVD) |
| 22 - Antique nickel | 73 - Satin Brass (PVD) |
| 23 - Antique Copper | |
| 24 - Satin Copper | |
| 27 - Matte Nickel | |
| 28 - ORB | |

Please add finish code when placing order for parts with using following finish code table. For example J handle in Chrome will be BJ-01, BJ-12 for Satin Nickel.



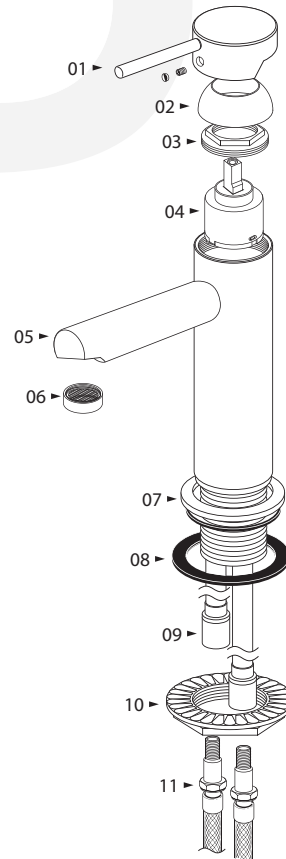
• GT2610



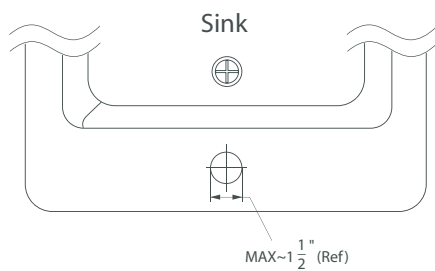
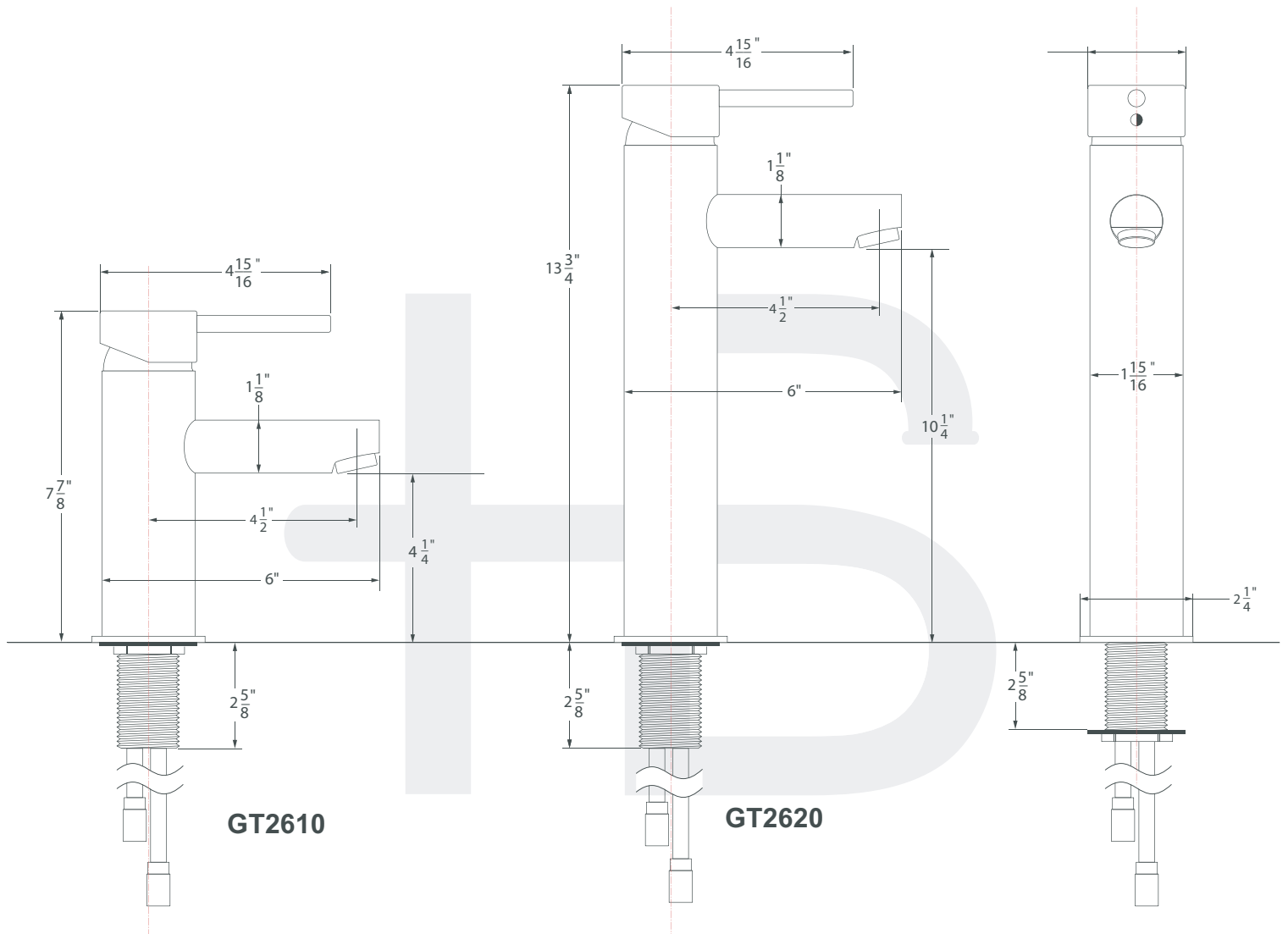
• GT2620

BREAK DOWN Component Parts List

#	PART NAME	QTY
1	HANDLE W / SET SCREW & INDEX BUTTON	1
2	CAP	1
3	CARTRIDGE LOCK NUT	1
4	CARTRIDGE	1
5	CAP	1
6	AERATOR	1
7	FLANGE	1
8	RUBBER WASHER	1
9	WATER WAY	1
10	LOCK NUT	1
11	HOSE	1



SPECIFICATION



Item Number	Type	Date
GT2610 / GT2620	Kitchen / Lavatory	07/29/2005