



**KITCHEN - Single Hole Faucet
GT1410 / GT1410S / GT1420**

Description

- Lavatory / Kitchen faucet
- Ceramic disc cartridge
- Brass lever handles
- Single brass handle w/ volume control
- 9.5" H brass tubular spout
- * GT1420 - w/4" base extension for use w/ ceramic basin

Standards

- ASME A112.18.1 Compliant
- Listed IAPMO / UPC & CUPC
- ADA Accessibility Guidelines for Buildings and Facilities - 4.27.4 Controls and Mechanisms (lever handle only)
- NSF - 61-9 tested
- CSA B125.1 Compliant



Colors / FinishES

- | | |
|---------------------|----------------------------|
| 01 - Chrome | 29 - Polished Nickel |
| 12 - Satin Nickel | 70 - Polished Brass (PVD) |
| 20 - Antique Bronze | 71 - Polished Nickel (PVD) |
| 21 - Antique Brass | 72 - Satin Nickel (PVD) |
| 22 - Antique nickel | 73 - Satin Brass (PVD) |
| 23 - Antique Copper | |
| 24 - Satin Copper | |
| 27 - Matte Nickel | |
| 28 - ORB | |

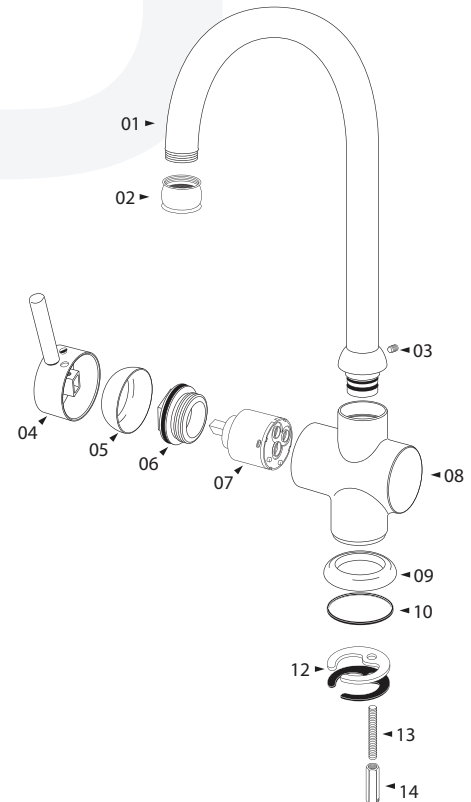
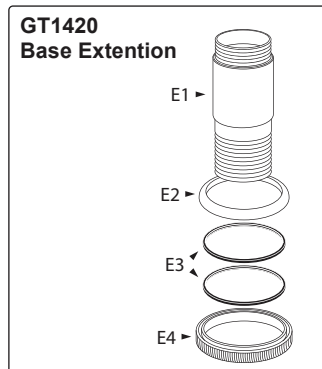
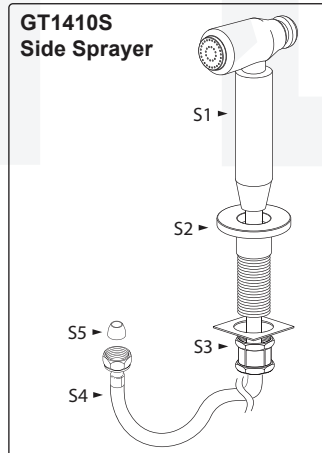
Please add finish code when placing order for parts with using following finish code table. For example J handle in Chrome will be BJ-01, BJ-12 for Satin Nickel.



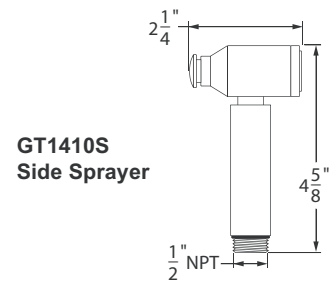
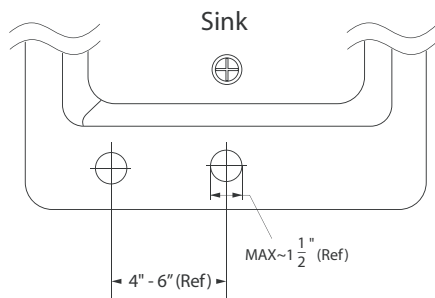
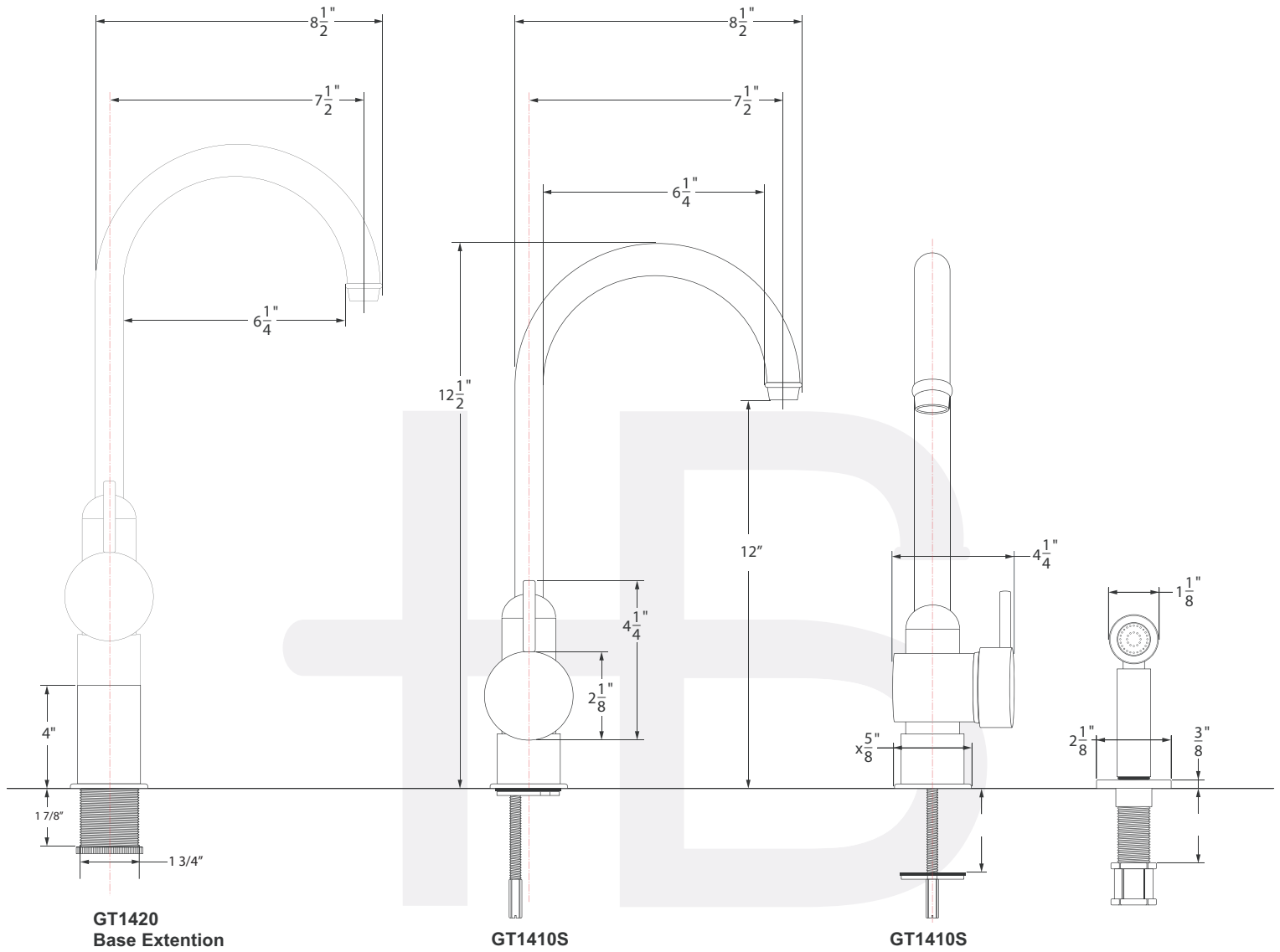
Special Escutcheon Option
N/A

**BREAK DOWN
Component Parts List**

#	PART NAME	QTY
1	SPOUT	1
2	AERATOR	1
3	SET SCREW	1
4	HANDLE W / INDEX BUTTON	1
5	CAP	1
6	CARTRIDGE LOCK NUT	1
7	CARTRIDGE	1
8	BODY	1
9	SET RING	1
10	RUBBER RING	1
12	METAL WASHER & MUBBER WASHER	1
13	SCREW	1
14	SCREW NUT	1
	GT1410S - SIDE SPRAYER	
S1	SIDE SPRAYER	1
S2	SPRAYER STAND	1
S3	WASHER & LOCK NUT	1
S4	HOSE	1
S5	CONE WASHER	1
	GT1420 BASE EXTENSION	
E1	EXTENSION	1
E2	FLANGE	1
E3	RUBBER WASHER	2
E4	LOCK NUT	1



SPECIFICATION



Item Number	Type	Date
GT1410 / GT1410S	Kitchen / Lavatory	07/29/2005