



GS8270-XX - Rim Mount Tub Filler

Description

- Rim mount tub filler with hand shower
- Contemporary style
- ¼ Turn ceramic disc cartridges
- Swiveling spout

Standards

- Complies with IAPMO UPC/cUPC
- ADA Accessibility Guidelines for Buildings and Facilities - 4.27.4 Controls and Mechanisms



• GS8270-XX

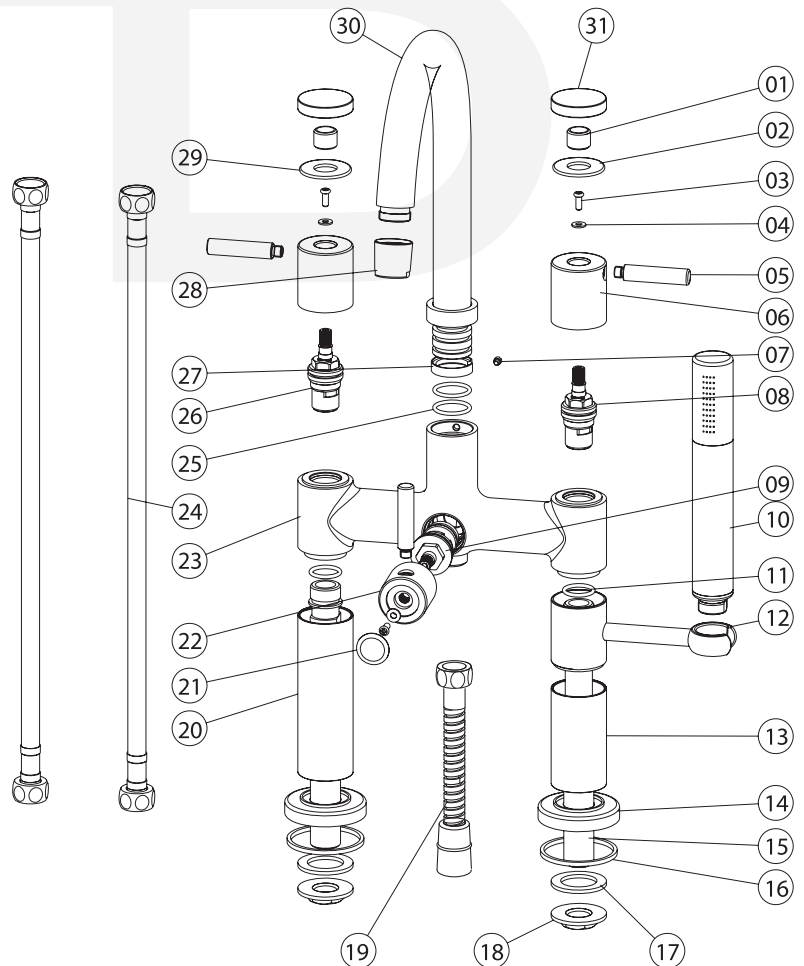


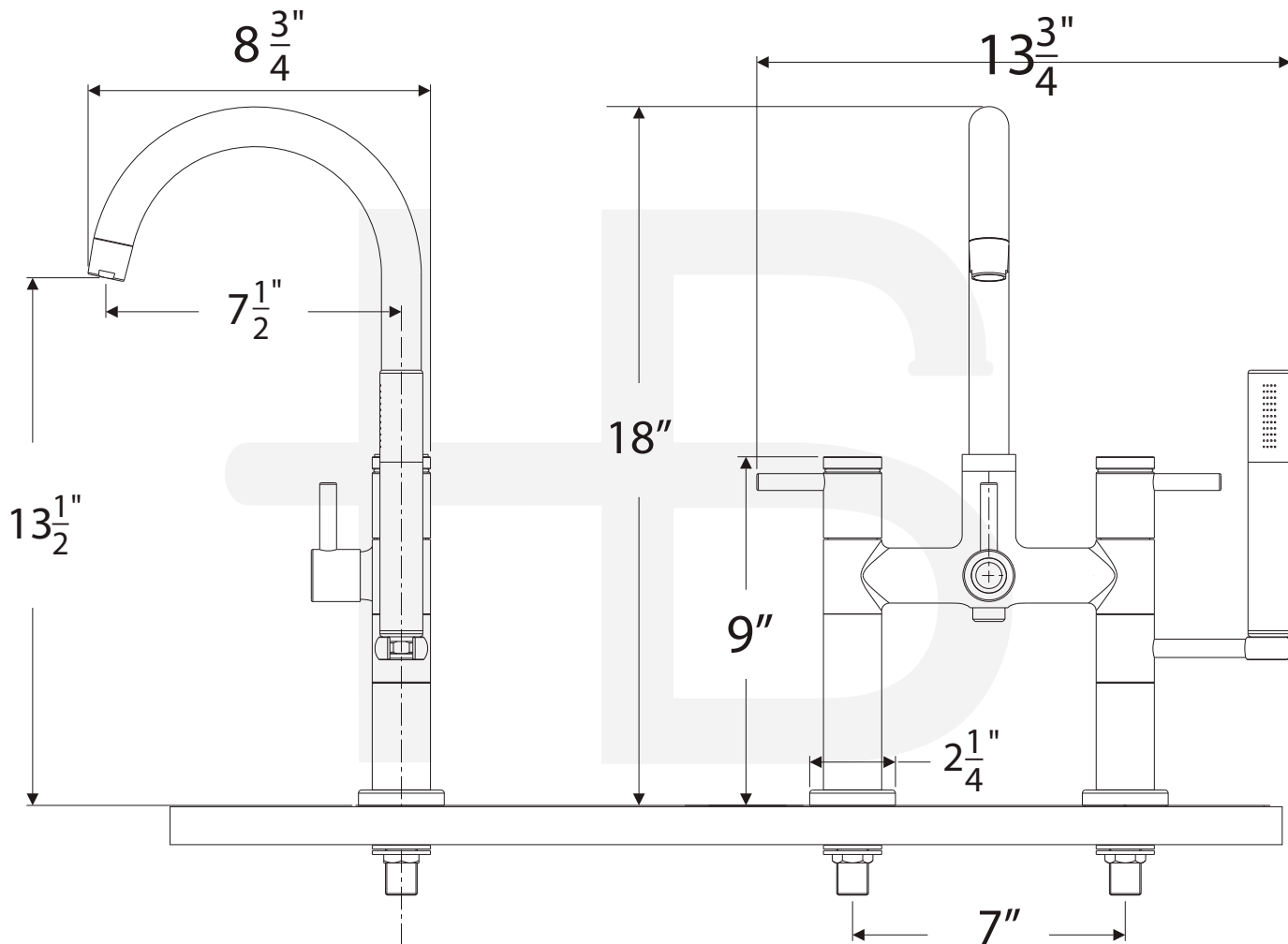
Colors / Finishes

- 01 - Chrome
- 72 - PVD Satin Nickel

BREAK DOWN Component Parts List

#	PART NAME	QTY	#	PART NAME	QTY
01	BOLT	2	21	INDEX BUTTON	1
02	INDEX RING(COLD)	1	22	HANDLE	1
03	SCREW	3	23	HOUSING	1
04	O-RING	3	24	HOSE	2
05	HANDLE LEVER	3	25	O-RING	2
06	HANDLE	2	26	CARTRIDGE	1
07	SCREW	1	27	SNAP RING	1
08	CARTRIDGE	1	28	AERATOR COVER	1
09	DIVERTER	1	29	INDEX RING(HOT)	1
10	HAND SHOWER	1	30	SPOUT	1
11	O-RING	2	31	END CAP	2
12	HAND SHOWER HOLDER	1			
13	SLEEVE EXTENSION	1			
14	DECORATIVE RING	2			
15	CONNECTOR	2			
16	O-RING	2			
17	WASHER	2			
18	LOCK NUT	2			
19	HOSE	1			
20	SLEEVE EXTENSION	1			





Item Number	Type	Date
GS8270-XX	Tub Filler	5/6/2011