

FFBF280W

75.25" x 27.63" x 23.5" (H x W x D)

ENERGY STAR qualified counter depth bottom freezer refrigerator in white with large capacity and deluxe interior

Highlights:

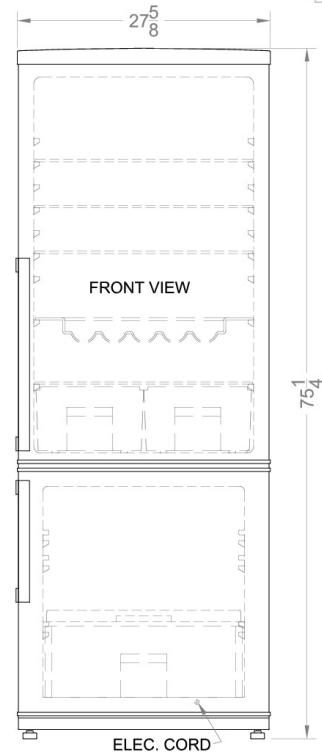
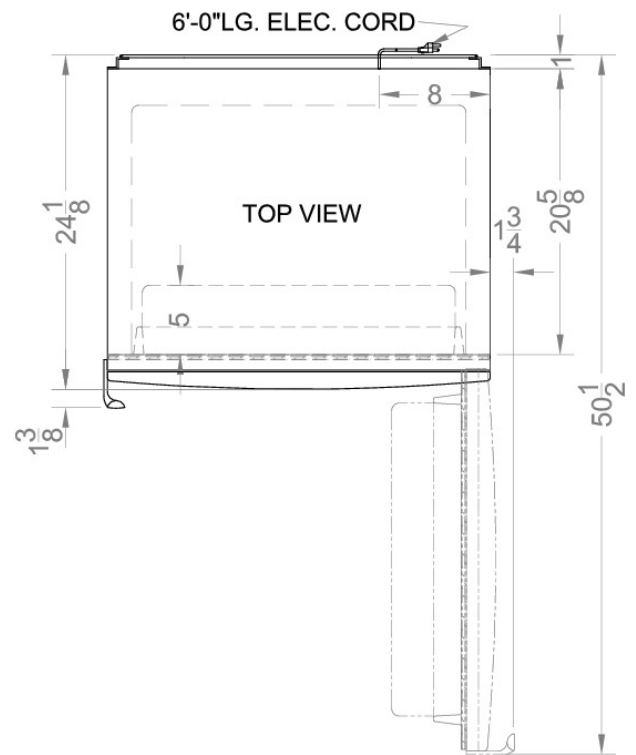
- Bottom freezer adds energy efficient convenience to any home
- Deluxe interior features dual crispers, glass shelves, and scalloped steel wine rack
- Gliding freezer drawers keep the cold inside for less waste and more storage options
- ENERGY STAR qualified for environmentally safe savings on power bills



ENERGY STAR qualified	Rated by the DOE to perform with more efficiency than federal standards require, saving your unit energy and you on higher utility costs
Bottom freezer	Thoughtfully designed unit saves energy waste by putting the freezer under the refrigerator to keep commonly used contents at eye level
Adjustable glass shelves	Rearrange your refrigerator space to accommodate all shapes and sizes or remove shelves for a simple clean-up
Adjustable thermostat	Manage your food's temperature with ease and accuracy
Door storage	Keep large bottles and condiments right on the door for easy access
Wine shelf	Store bottles safely on an adjustable scalloped steel rack
Two clear crispers	Get the longest life and best taste out of produce by storing greens in convenient slide drawers
Interior light	Automatically illuminates when you open the door
Reversible doors	Keep your options flexible with reversible doors that are easy to switch when your arrangement changes
Ultra quiet performance	Advanced sound absorbing construction makes operation as soft as a whisper

Specifications:

Height	75.25"
Width	27.63"
Depth	23.5"
Capacity	13.81 cu.ft.
Ext Depth with Handle	25.5"
Interior Height 1	41.0"
Interior Width 1	24.5"
Interior Depth 1	18.0"
Interior Height 2	23.0"
Interior Width 2	22.0"
Interior Depth 2	13.5"
Shipping Weight	195.0 lbs.
Energy Usage/Year	400.0 kWh/year
US Electrical Safety	UL
Amps	1.53
Voltage/Frequency	115 V AC/60 Hz
Reversible	Yes
Door Swing	RHD
Crisper Quantity	2
Shelf Quantity	3
Adjustable Shelf	true
Shelf Type	Glass
Crisper Cover Type	Glass
Crisper Finish	Transparent
Full Door Shelf Quantity	4
Wine Bottle Holder	true
Drawers	true
Drawer Quantity	3
Wheel Quantity	2
Defrost Type	Frost-Free/Automatic
Depth with door at 90°	50.5"
Thermostat Type	Dial
Light	true
Fan Type	Interior
Low Side PSI	72.0
Refrigerant Type	R134a
High Side PSI	351.0
Level Legs Quantity	2
Freon Oz	5.47
Parts/Labor Warranty	1 Year
Compressor Warranty	5 Years



Summit Appliance Division, Felix Storch, Inc.
 770 Garrison Ave • Bronx, NY 10474
 Phone: 718-893-3900 • Fax: 718-842-3093
 Email: info@summitappliance.com