



FATHxxPK1 - Basic Thermostatic package

Description

- Shower arm - (PLxxASA)
- Brass Construction.
- Shower head - (234-xx)
- 2.0 GPM ASME Compliant
- 6 jet adjustable spray.
- 1/2" IPS Connection
- Handle trim (2) - (FFLxxS)
- Brass Construction.
- Stop valves (2) - (PL2000W)
- 3/4" Fittings
- Ceramic disc cartridge.
- Valve trim - (FA8950-xx)
- Brass lever handle
- Square forged brass face plate
- Thermostatic valve - (PL8950)
- Super high flow 3/4" Thermostatic valve body
- Complies w/ ASSE 1016 standard
- Flow Rate : 20 GPM
- Made in ITALY
- IAPMO listed and approved UPC
- Tub spout (PLFSPxx)
- Brass Construction.

• FATHxxPK1



Standards

- Complies with IAPMO cUPC
- ASSE 1016
- ADA Accessibility Guidelines for Buildings and Facilities - 4.27.4 Controls and Mechanisms (lever handle only)

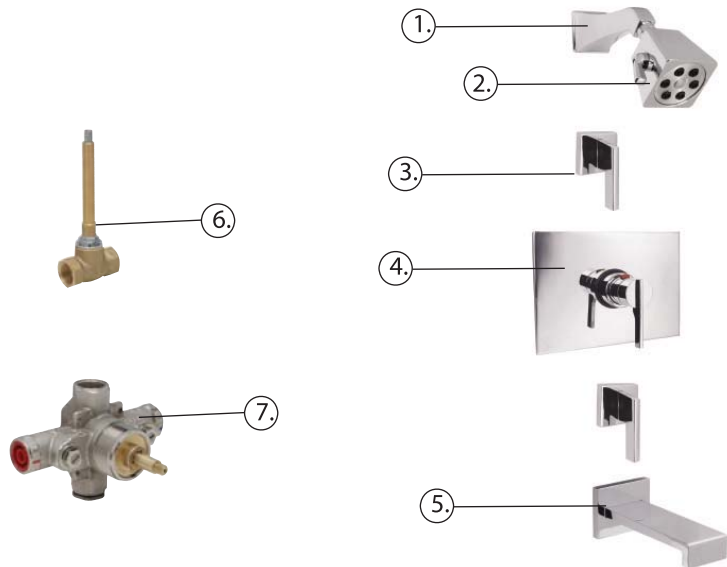


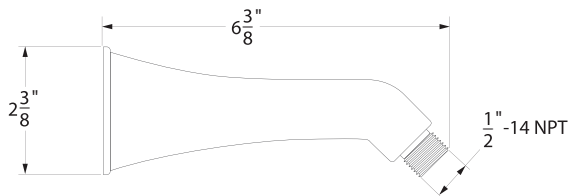
Colors / Finishes

- 01 - Chrome
- 72 - PVD Satin Nickel
- xx - Special Finish (Please reference the Platinum Catalog)

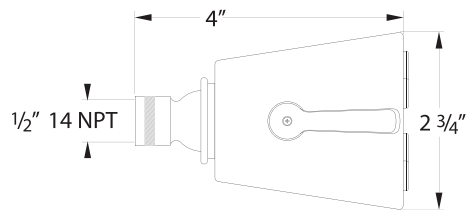
BREAK DOWN Component Parts List

NO.	Part No	Qty
01	PLxxASA	1
02	234-xx	1
03	FFL-XXS	2
04	FA8950-XX	1
05	PLFSPXX	1
06	PL2000W	2
07	PL8950	1

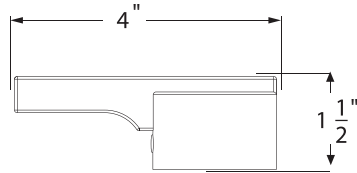




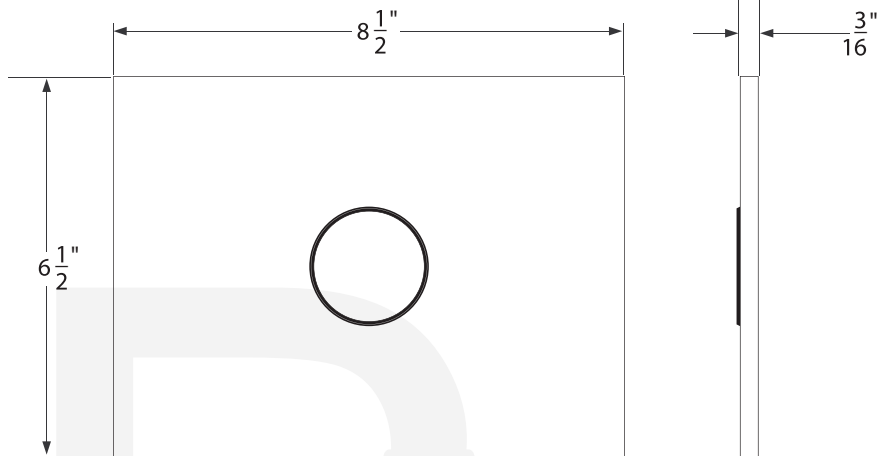
Shower arm PLxxASA



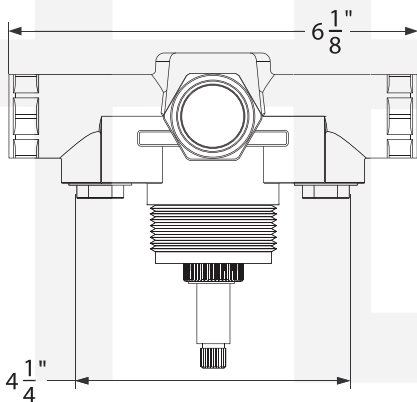
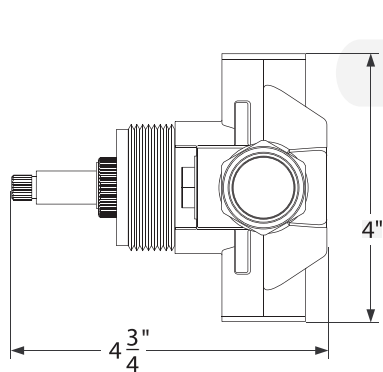
Shower head 234-xx



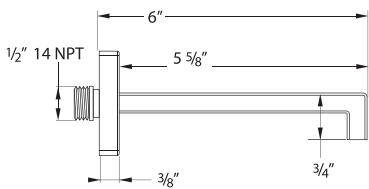
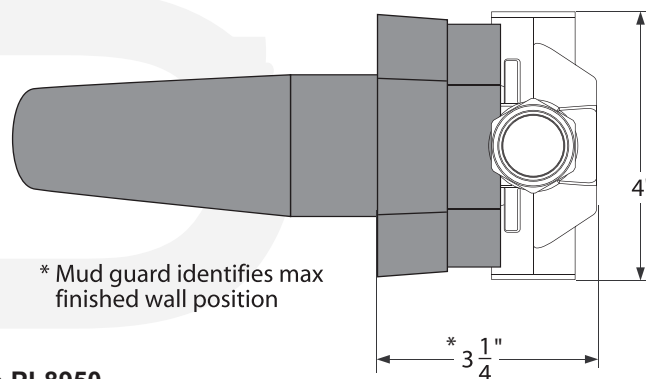
Handle



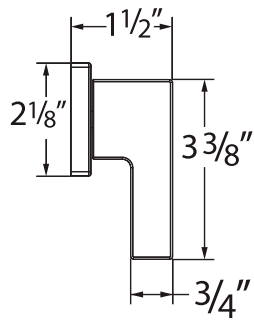
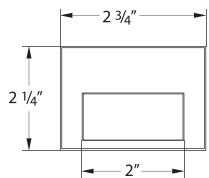
Face Plate PL9951-xx



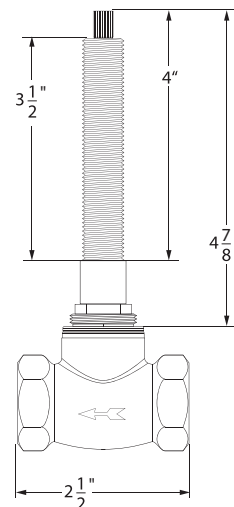
Thermostatic Valve PL8950



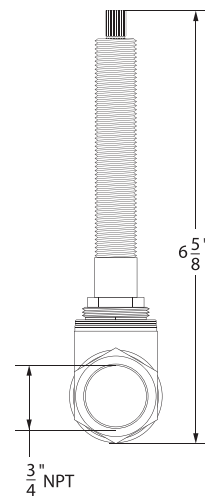
Tub Spout PLISPxx



Handle Trim FFLxxS



Stop Valve PL2000W



Item Number	Type	Date
FATHxxPK1	Basic Thermostatic Package	4/12/2011