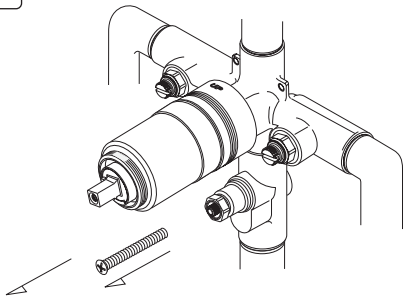
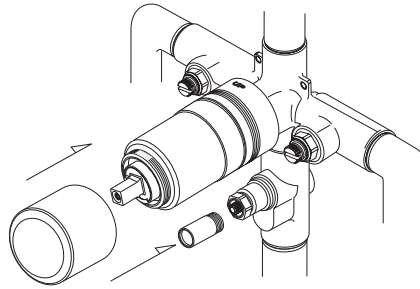


**FAVARI Series Shower only face plate installation**

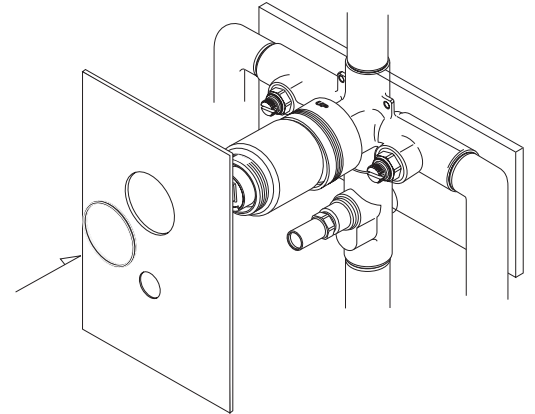
1



Unscrew the screw from the push pull diverter. Make sure valve is straight and not installed at an angle. This is the last time to check and make sure valve body is installed properly before the trim is installed. (Hint: check main connection points and assure no leaks)

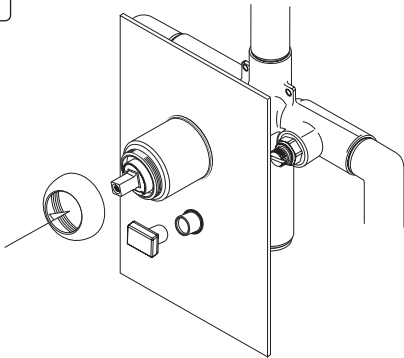


Install the sleeve to the raw sleeve on the valve body. From the outside slide the finished sleeve over the raw sleeve. It simply slips on to the valve. Install the push pull diverter sleeve. From the outside screw the diverter sleeve onto the outlet of the diverter mechanism. Simply screw the sleeve on by hand until it locks.

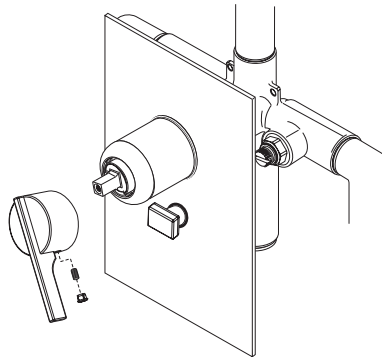


Slide the face plate over the valve. Place face plate over the valve body and push it into place so that the face plate sits firm against the finished wall. (Note : the Favari face plate does not need long screw to secure instead it secured with rubber washer.)

2



Grab the sleeve cap, and place it over the cartridge portion of the valve. From the top screw the sleeve cap by simply twisting it to make sure it locks in place. Cap will hold the sleeve in place and prevent it from moving back and forth.



Install handle by placing it over and sliding it into the threaded portion of the adaptor. Next (Depending on the handle) with an allen wrench tighten the set screw on the handle so that it locks the handle to the adaptor. (Note: The handle should be tighten so that it does not wiggle)