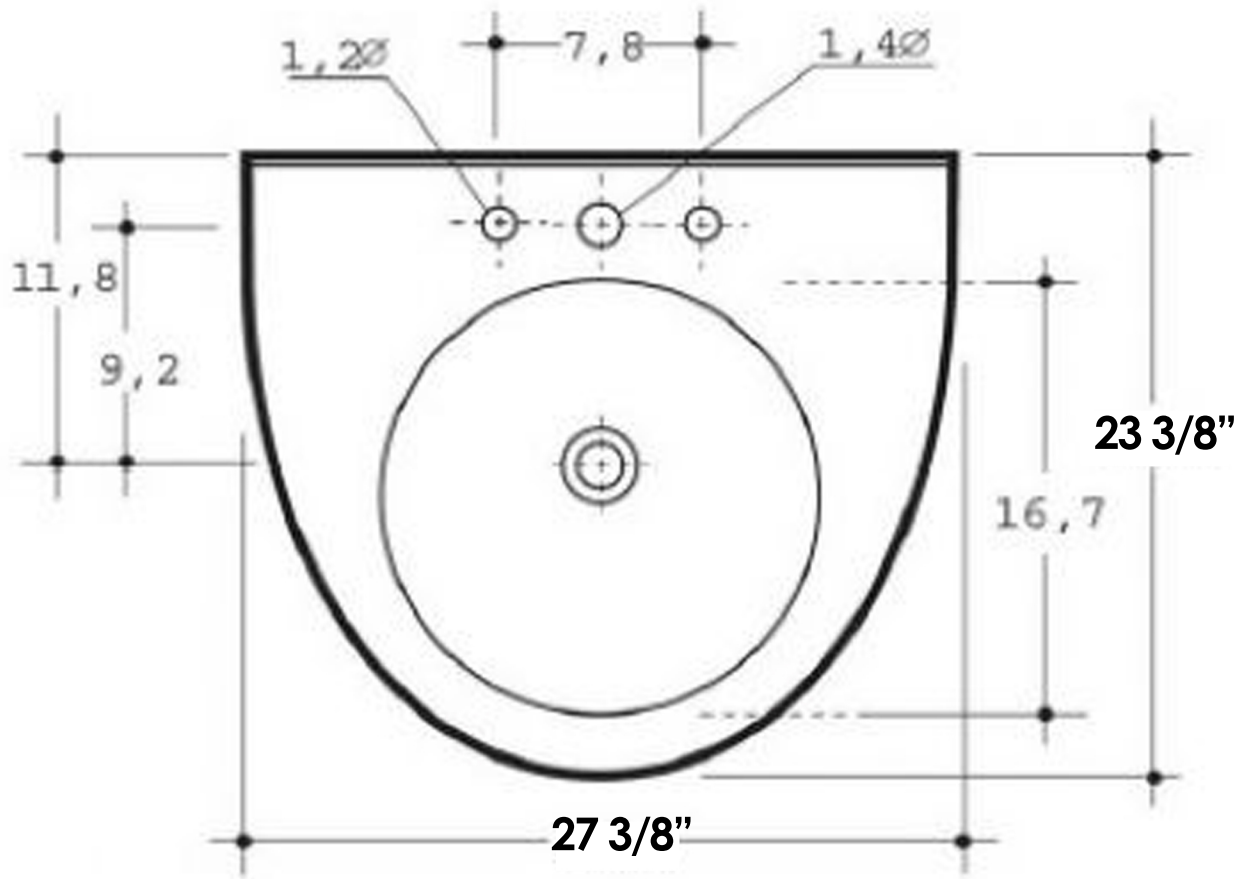


ECO34



Inside Dimensions
 $16 \frac{3}{4}$ " dia. x $6 \frac{1}{4}$ "

Overall Depth
 9 "

LIVE WITH STYLE!