

## CT66BBI

33.25" x 23.63" x 23.5" (H x W x D)

Built-in undercounter refrigerator-freezer in black, with SUMMIT's "dual evaporator" and cycle defrost

### Highlights:

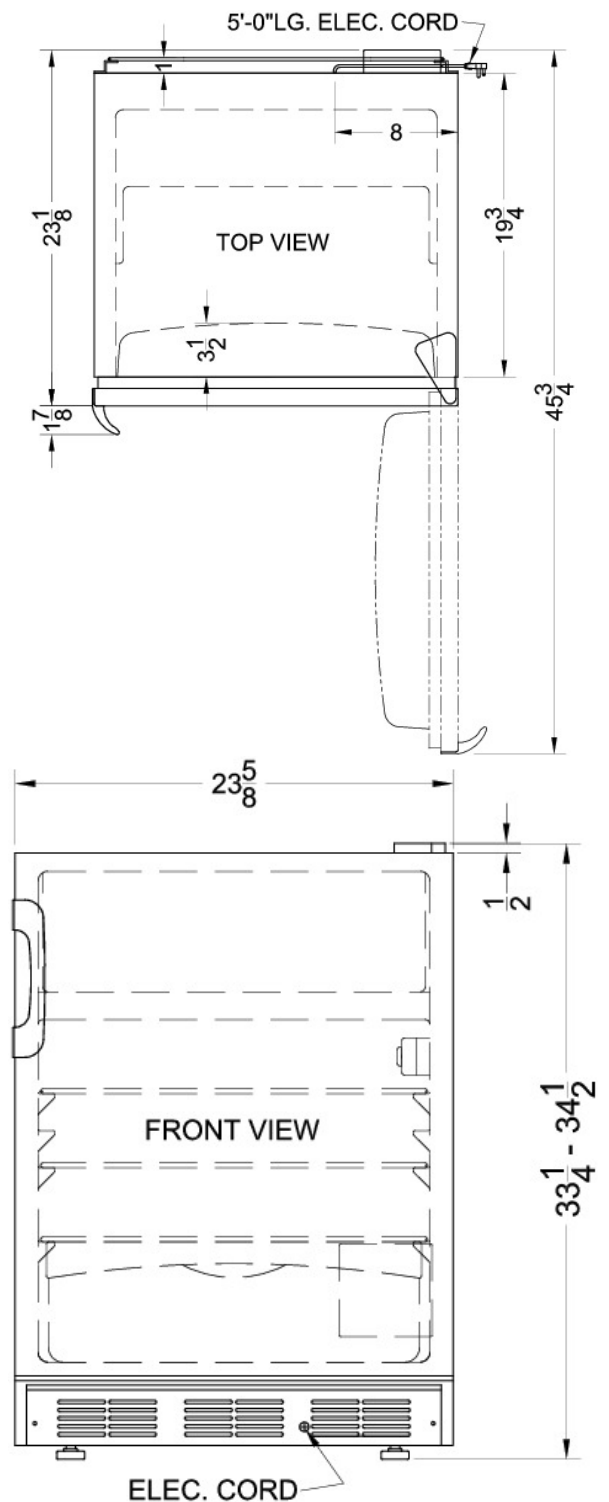
- Flexible design allows built-in or freestanding use
- Perfectly sized to fit under counters and in tight 24 inch spaces
- Ice cream stays frozen in zero degree freezer
- Energy efficient design featuring dual evaporator system



Built-in capability	Make the best use of space by installing your refrigerator under the counter and flush with other cabinets
Cycle defrost	Combines an automatic defrosting refrigerator with a manual defrosting freezer to save energy but protect food
Zero degree freezer	Keep ice cream frozen and freezer burn-free in a freezer that reaches and maintains zero degrees
Thin-line design	Our unique 24" wide models offer full capacity in a slim fit
Adjustable thermostat	Control your food's temperature with ease and accuracy
Interior light	Automatically illuminates when you open the door
Adjustable glass shelves	Rearrange your refrigerator space to accommodate all shapes and sizes or remove shelves for a simple clean-up
Fruit and vegetable crisper	Get the longest life and best taste out of produce by storing it in a convenient slide drawer
Door storage	Store large bottles right on the door for easy access
Dual evaporator	SUMMIT's unique and efficient design separately cools the refrigerator while maintaining zero degrees in the freezer with two evaporators

## Specifications:

Height	33.25 up to 34.5"
Width	23.63"
Depth	23.5"
Capacity	5.1 cu.ft.
Ext Depth with Handle	25.0"
Interior Height 1	19.5"
Interior Width 1	20.5"
Interior Depth 1	17.0"
Interior Height 2	5.0"
Interior Width 2	19.0"
Interior Depth 2	11.5"
Comp Step Height	7.0"
Comp Step Width	20.5"
Comp Step Depth	5.0"
Height Adjustable	true
Shipping Weight	109.0 lbs.
Canadian Electrical Safety	ULC
US Electrical Safety	UL
Energy Usage/Year	434.0 kWh/year
Voltage/Frequency	115 V AC/60 Hz
Amps	1.3
Reversible	Yes
Door Swing	RHD
Crisper Quantity	1
Shelf Quantity	3
Adjustable Shelf	true
Shelf Type	Glass
Crisper Cover Type	Glass
Crisper Finish	Transparent
Full Door Shelf Quantity	3
Defrost Type	Cycle
Depth with door at 90°	45.75"
Height to Hinge Cap	34.5"
Fan Type	Exterior
Light	true
Thermostat Type	Dial
Low Side PSI	70.0
Refrigerant Type	R134a
Level Legs Quantity	4
High Side PSI	285.0
Freon Oz	2.6
Compressor Warranty	5 Years
Parts/Labor Warranty	1 Year



Summit Appliance Division, Felix Storch, Inc.  
 770 Garrison Ave • Bronx, NY 10474  
 Phone: 718-893-3900 • Fax: 718-842-3093  
 Email: info@summitappliance.com