

CP133

59.75" x 23.63" x 24.0" (H x W x D)

Two-door refrigerator-freezer with cycle defrost and slim 24" width

Highlights:

Ideal slim dimensions for apartments and other tight settings

Generous 9.5 c.f. capacity in a 24 inch footprint

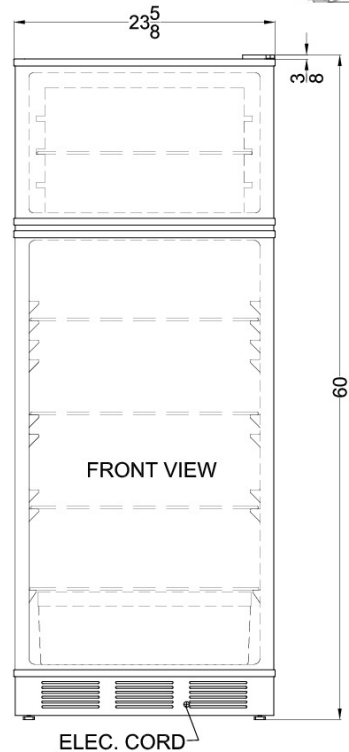
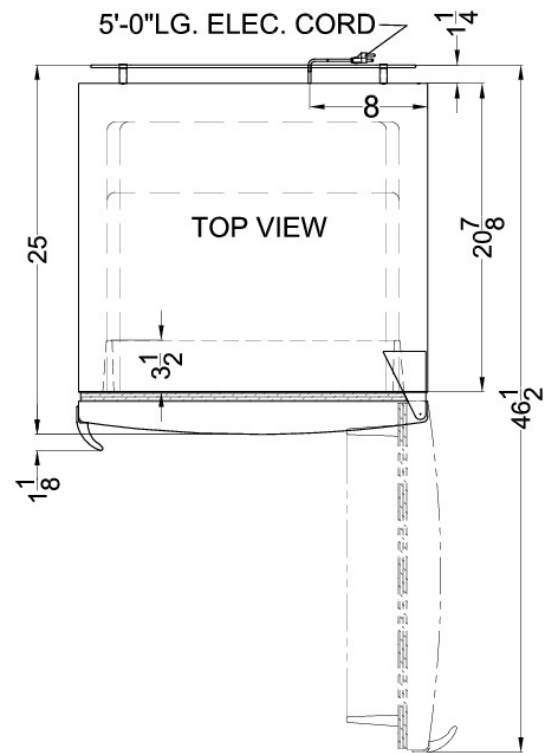
Cycle defrost system



Thin-line design	Limited space is no problem for our thin-line models, designed specifically for those hard-to-fit spots
Cycle defrost	Combines an automatic defrosting refrigerator with a manual defrost freezer
Adjustable shelves	Rearrange your refrigerator space to accommodate all shapes and sizes or remove shelves for a simple clean-up
Door storage	Store large bottles right on the door for easy access
Full freezer shelf	Offers additional options for organization
Adjustable thermostat	Manage the interior temperature with ease and accuracy
Interior light	Automatically illuminates when you open the door
Reversible doors	Keep your options flexible with reversible doors that are easy to switch when your arrangement changes
100% CFC free	Environmentally friendly design without ozone-damaging chemicals

Specifications:

Height	59.75"
Width	23.63"
Depth	24.0"
Capacity	9.5 cu.ft.
Interior Height 1	38.25"
Interior Width 1	19.75"
Interior Depth 1	18.25"
Interior Height 2	11.25"
Interior Width 2	18.0"
Interior Depth 2	18.25"
Comp Step Height	7.0"
Comp Step Width	19.75"
Comp Step Depth	6.0"
Shipping Weight	145.0 lbs.
Weight	130.0 lbs.
Voltage/Frequency	115 V AC/60 Hz
Energy Usage/Year	314.0 kWh/year
US Electrical Safety	UL
Amps	1.9
Canadian Electrical Safety	ULC
Reversible	Yes
Door Swing	RHD
Crisper Quantity	1
Shelf Quantity	4
Adjustable Shelf	true
Shelf Type	Glass
Crisper Cover Type	Glass
Crisper Finish	Opaque
Full Door Shelf Quantity	4
Defrost Type	Cycle
Depth with door at 90°	46.5"
Light	true
Thermostat Type	Dial
Refrigerant Type	R134a
Low Side PSI	70.0
Freon Oz	4.9
High Side PSI	235.0
Parts/Labor Warranty	1 Year
Compressor Warranty	5 Years



Summit Appliance Division, Felix Storch, Inc.
 770 Garrison Ave • Bronx, NY 10474
 Phone: 718-893-3900 • Fax: 718-842-3093
 Email: info@summitappliance.com