



BZTHxxPK3 - Premium Thermostatic package

Description

- Shower arm - (PLxxSA6)
- Brass Construction.
- Shower head - (PLxxZSH)
- 2.0 GPM ASME Compliant
- Easy to clean nipples
- 1/2" IPS Conection
- Handle trim (2) - (BZL-xx)
- Brass Construction.
- Stop valves (2) - (PL2000W)
- 3/4" Fittings
- Ceramic disc cartridge.
- Valve trim - (BZ8950-xx)
- Brass lever handle
- Brass face plate
- Thermostatic valve - (PL8950-00)
- Super high flow 3/4" Thermostatic valve body
- Complies w/ ASSE 1016 standard
- Flow Rate : 20 GPM
- Made in ITALY
- IAPMO listed and approved UPC
- Handshower (115-xx)
- Brass Construction.
- Dual check valve.
- 2.0 GPM ASME Compliant
- Slide Bar (SH140-xx)
- Brass swivel ball joint.
- Solid brass construction.
- Hose (940-xx)
- 59" Metal Hose.
- Spiral Construction.
- Cone nut with o-ring.
- Supply Elbow (973F-xx)
- 1/2" NPT Connection to wall.
- Standard 1/2" IPS hose connection.
- Solid Brass construction.

• BZTHxxPK3



Standards

- Complies with IAPMO cUPC
- ASSE 1016
- ADA Accessibility Guidelines for Buildings and Facilities - 4.27.4 Controls and Mechanisms (lever handle only)

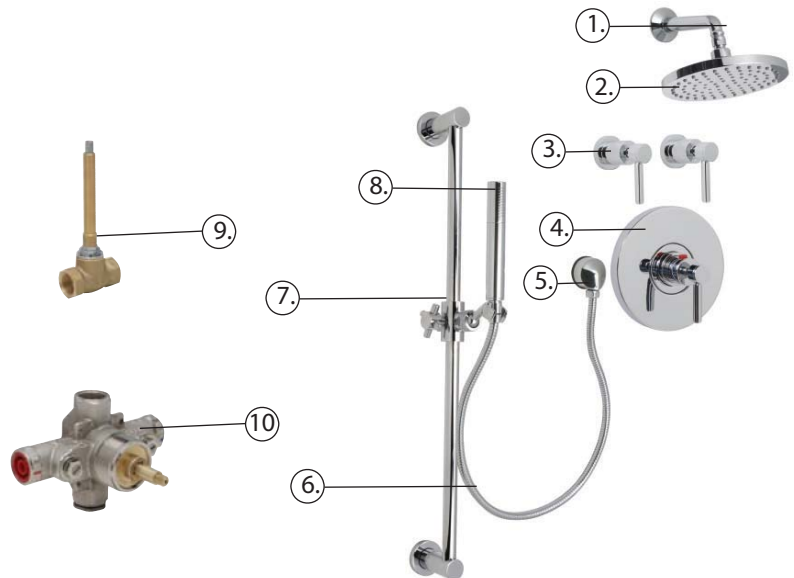


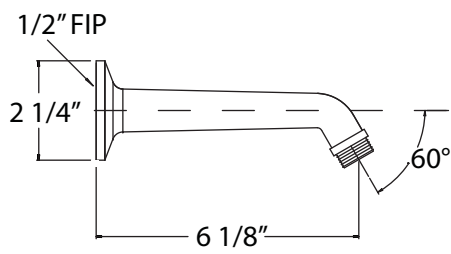
Colors / Finishes

- 01 - Chrome
- 12 - Satin Nickel
- xx - Special Finish (Please reference the Platinum Catalog)

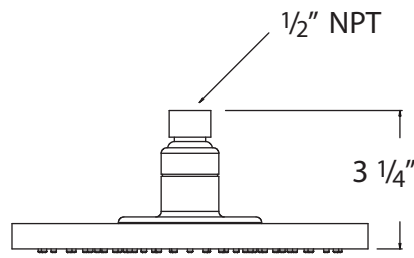
**BREAK DOWN
Component Parts List**

NO.	Part No	Qty
01	PLxxSA6	1
02	PLxxZSH	1
03	BZL-XX	2
04	BZ8950-XX	1
05	973F-XX	1
06	940-XX	1
07	SH140-XX	1
08	115-XX	1
09	PL2000W	2
10	PL8950-00	1

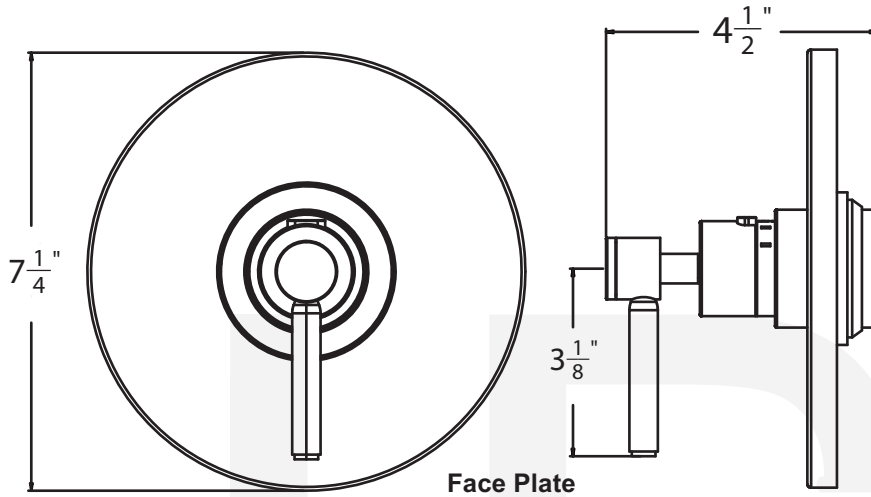
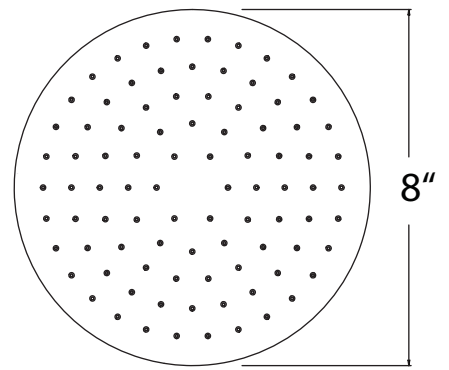




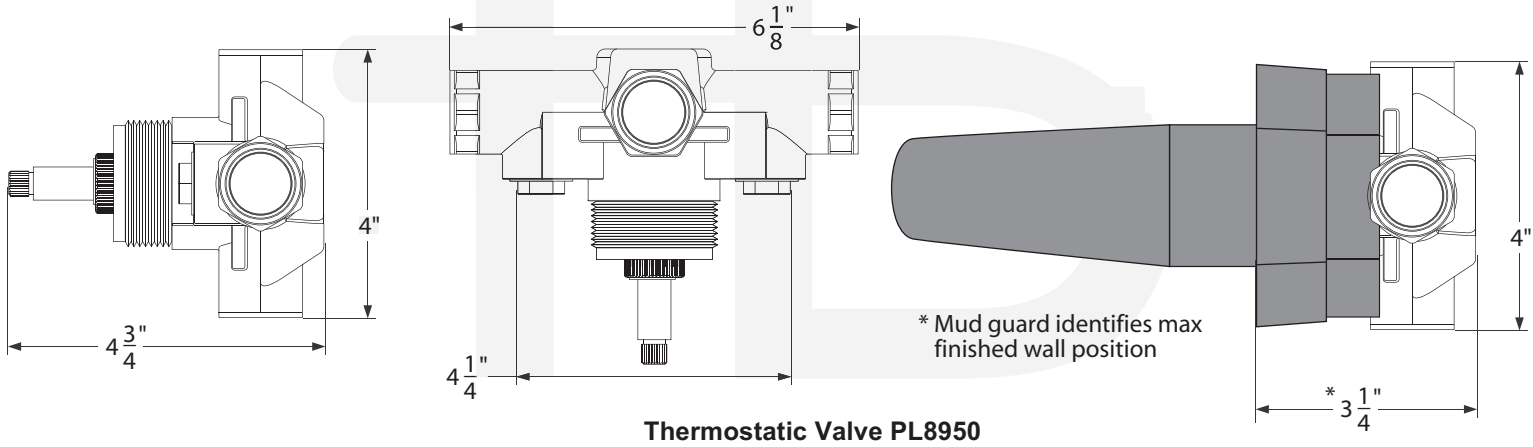
Shower arm



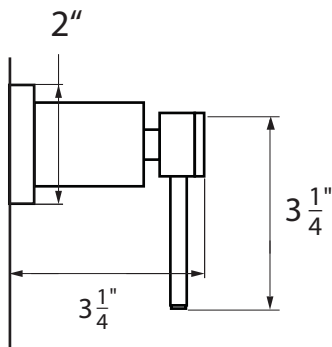
Shower head



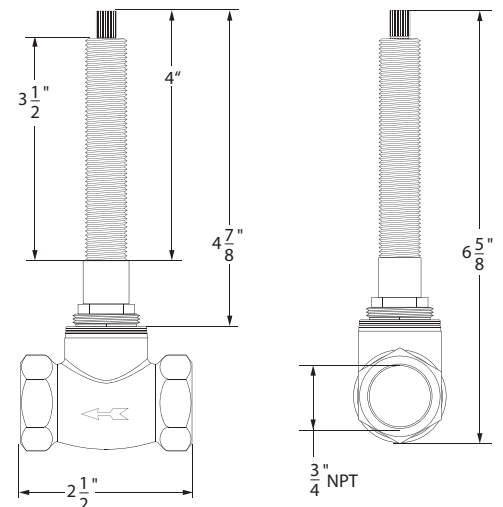
Face Plate



Thermostatic Valve PL8950

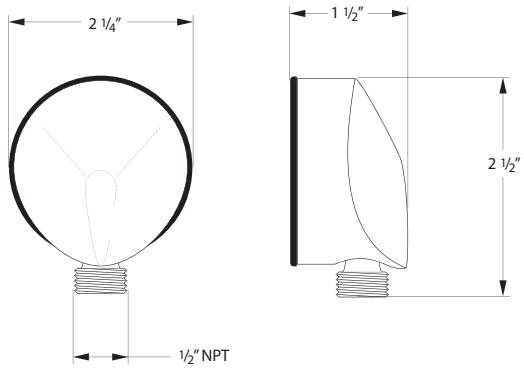


Handle Trim BZL-xx

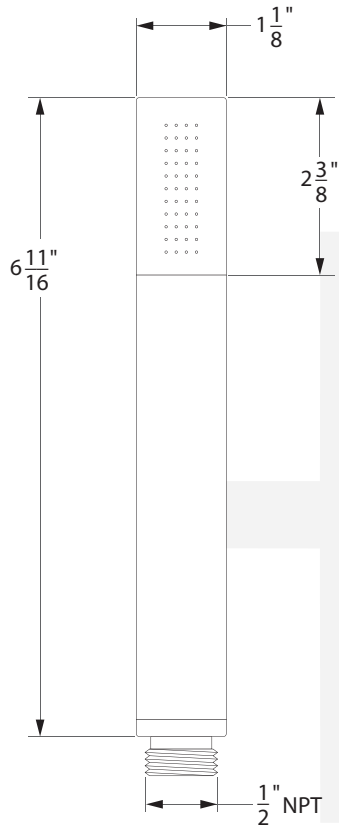


Stop Valve PL2000W

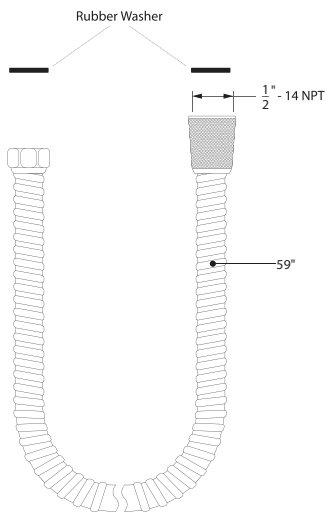
Item Number	Type	Date
BZTHxxPK3	Premium Thermostatic Package	9/12/2011



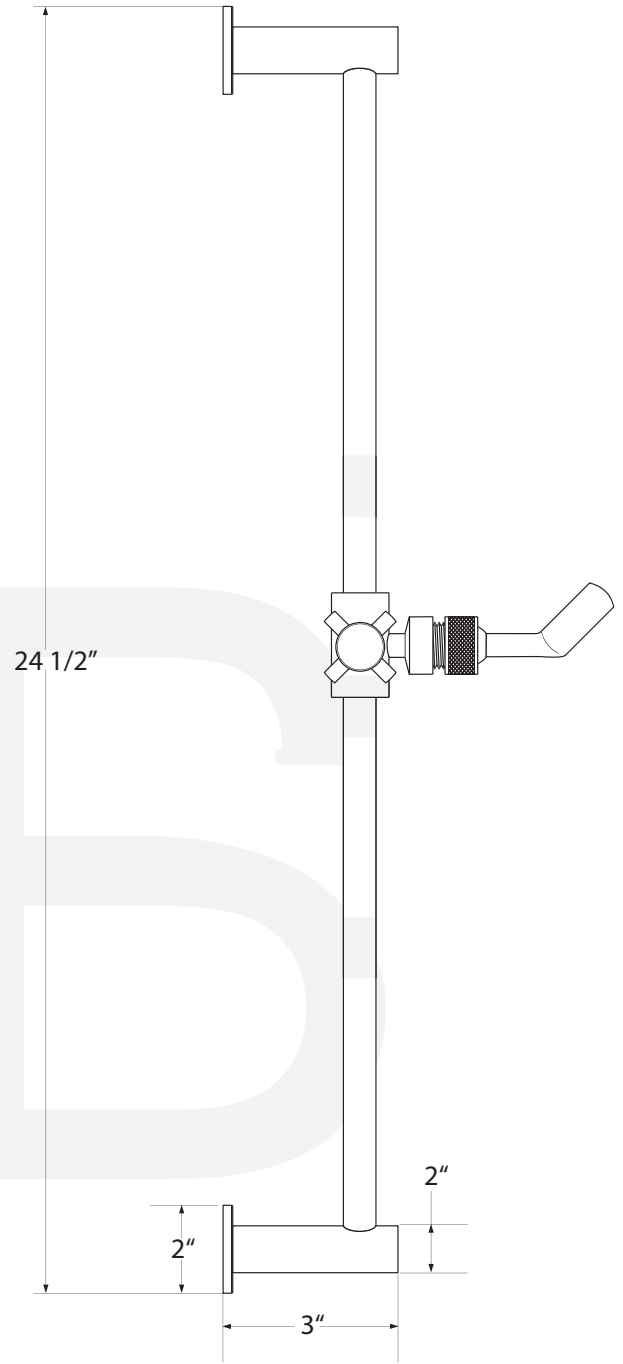
Supply Elbow 973F-xx



Handshower 115-xx



Hose 940-XX



Slide Bar SH140-xx

Item Number	Type	Date
BZTHxxPK3	Premium Thermostatic Package	11/17/2011