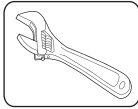
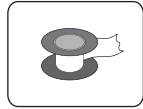


Tools You Will Need



Adjustable Wrench



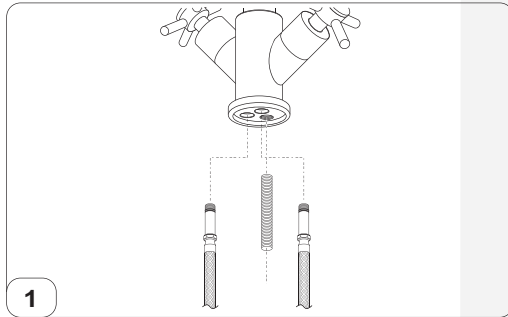
Pipe Tape



Groove joint plier

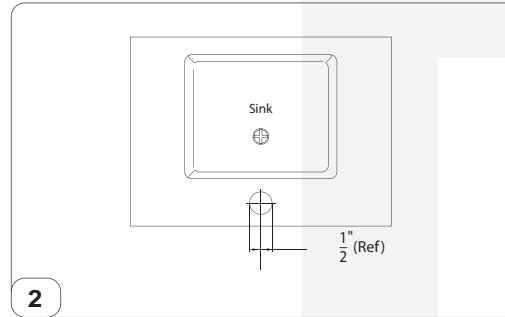


Silicone Caulking



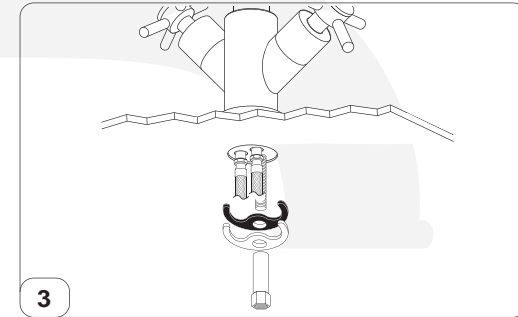
1

**Before you begin:**  
You must first assemble the supply hoses and mounting bolt to the bottom of the faucet if not done so already. To assemble the supply lines screw the small threaded end of the supply line into one of the inlets at the bottom of the spout. Screw in a clockwise direction and make sure that the o-ring does not get pinched or damaged. Repeat for the second supply line. Next, install the mounting bolt screw this into the faucet body using a flat head screw driver, screw in until secure. If bolt seems to loosen after installation a small amount of thread lock glue can be applied to the threads of the mounting bolt only on the end which attaches to the faucet body to further secure the mounting bolt to the faucet body. Once these parts are assembled the faucet is ready to be installed onto the deck surface.



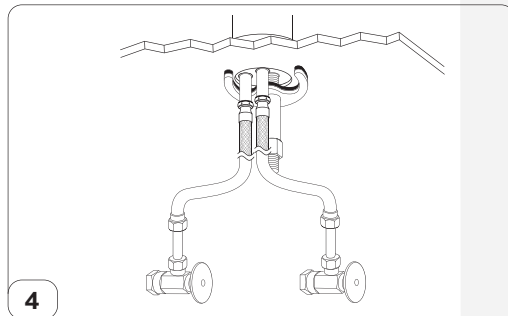
2

**Custom counter tops:**  
When drilling hole in custom counter tops to install this faucet. 1) Make sure that the diameter of the hole does not exceed the indicated dimension. 2) Refer to the specification dimensions on the back side of these installations to line up measurements of the length and height of the spout and position the faucet properly in relation to the size and type of basin being used. Make sure that after the faucet is installed that the throw of the spout and the stream of water is exactly as desired.



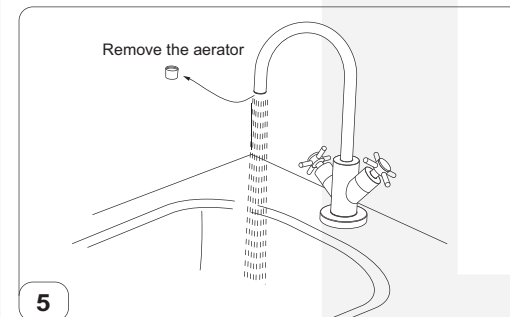
3

**Installing the faucet:**  
After the hole is drilled and the faucet is assembled place the supply lines and mounting bolt down into the hole on the deck surface. Position the faucet as desired. From underneath the deck surface place the mounting rubber washer and bracket onto the mounting bolt and screw on the mounting nut with the hex end towards the bottom. (This will allow easier access for the wrench or tool being used to tighten the nut down. Screw the nut until the bracket is secure against the bottom of the deck surface. Position the faucet in the desired position and use a wrench to further tighten the nut until secure.



4

**Connecting the water supply:**  
After the faucet is mounted and checked you can now proceed to install the water supply lines. The supply lines that come with the BZBFxxBZX faucet use 1/2 IPS male connections. This is meant to be used to connect the 3/8" compression supply lines from the angle stops in the wall by using the commonly used cone washers and coupling nuts (not supplied with the faucet) However, a regular steel braided flex hose can also be used to connect the faucet supply lines to the angle stop connections



5

**Checking and flushing the system:**  
Once the water supply lines are connected, turn on the main water supply and the angle valves under the sink. Make sure as the water is turned on that there is no leaking coming from any of the connections. Next, remove the aerator from the spout. Turn on a few faucets around the house and then turn on your new HB faucet (this will avoid any water hammer issues) Let the water run for 2-3 minutes and check for any leaks at all major connection points. Turn off the water from the faucet and replace the aerator.

