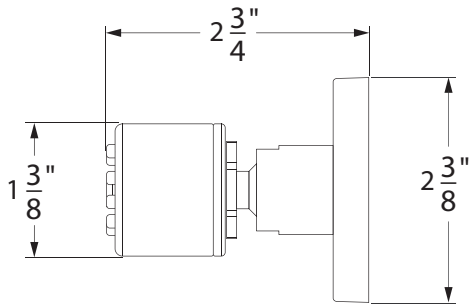
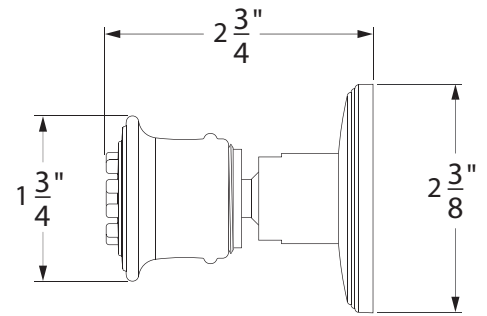




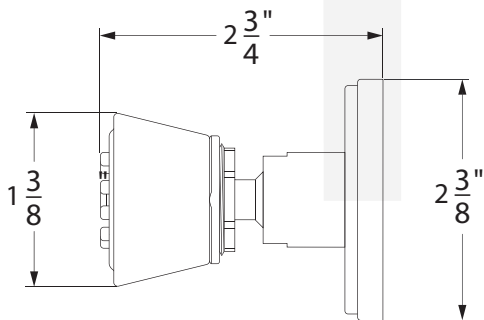
161-xx



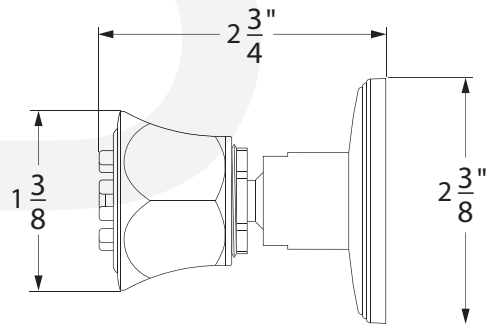
162-xx



164-xx



166-xx



Item Number	Type	Version	Date
BS161 / BS162 / BS164 / BS166	Body Sprays	D	02/19/2006