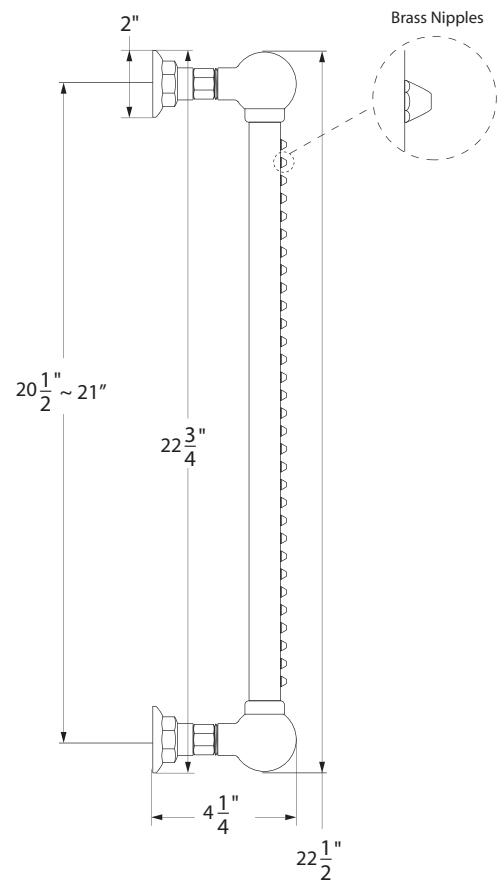


### RB100-xx



#### Tips for Successful Installations

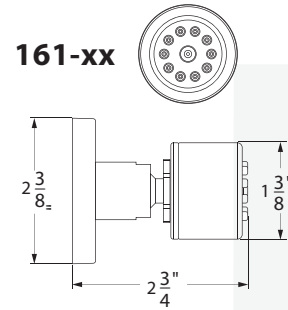
- Use joint compound or Teflon® tape on all threaded connections to prevent leaks.
- Use a soft cloth to protect the faucet's finish when using a wrench, pliers or other tools that could scratch the faucet.
- Tighten all hose connections by hand. Do not over tighten.
- Before turning main water supply back on, open several faucets around the house to prevent pressure from building up. Remove aerator from faucet before turning on water. Flush drain for several minutes before replacing aerator. DO NOT use joint compound or Teflon® tape to reconnect aerator.
- DO NOT use "plumbers putty" or any oil based sealant. HB recommends silicon caulking to be used to seal drain flange and other parts.
- If you experience problems with the installation consult a professional plumber.

Help Info? Please call Toll-FREE customer service line at 1-800-888-6604 for additional assistance service.

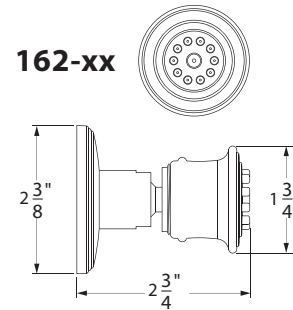


11100 Dana Circle Cypress, CA 90630  
Tel : 800-888-6604 | Fax : 888-455-5007  
www.huntingtonbrass.com

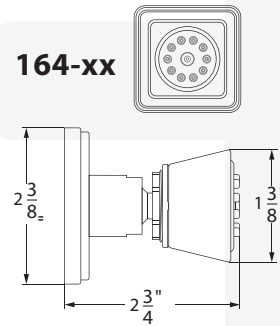
### 161-xx



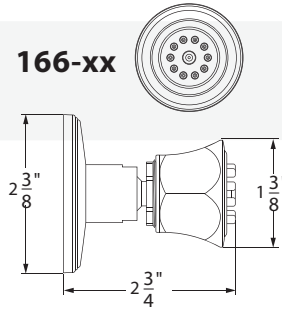
### 162-xx



### 164-xx



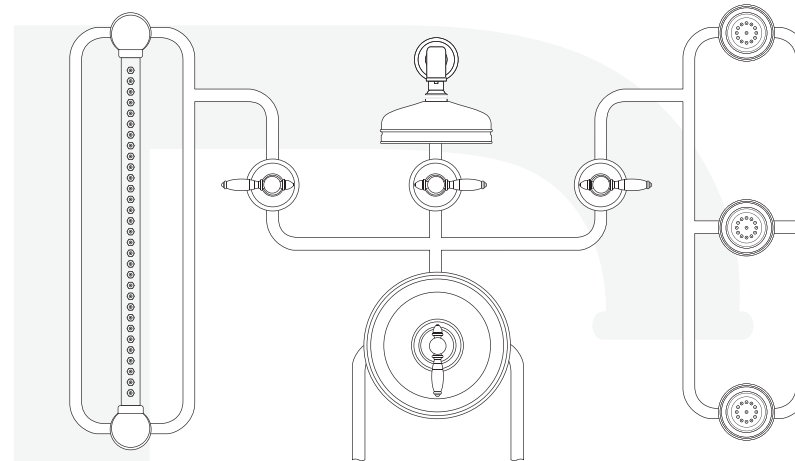
### 166-xx



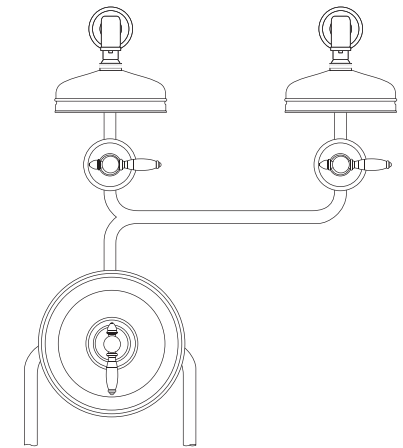
#### Before Your Installation

- Read all instructions carefully.
- Assemble all tools.
- Turn off main water supply before removing old faucet and fixtures.
- Clean surface before installing new faucet.
- Insert a cloth or stopper into drain to prevent small parts from getting lost.
- HB recommends that when cleaning you HB faucet to only use soap and warm water. The use of any chemical substance will void finish warranty.
- All rain bar & body spray peripheral devices must be installed with a pressure balancing loop installation method (see installation diagrams for more detail)
- Each device that is to function independent of other devices must have a separate shut off valve to control the device independently.

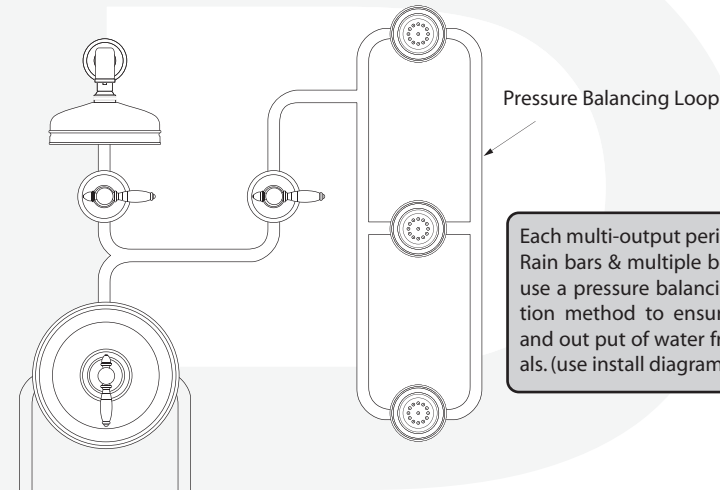
### 1 shower head, 1 rain bar & 3 body sprays



### 2 shower heads

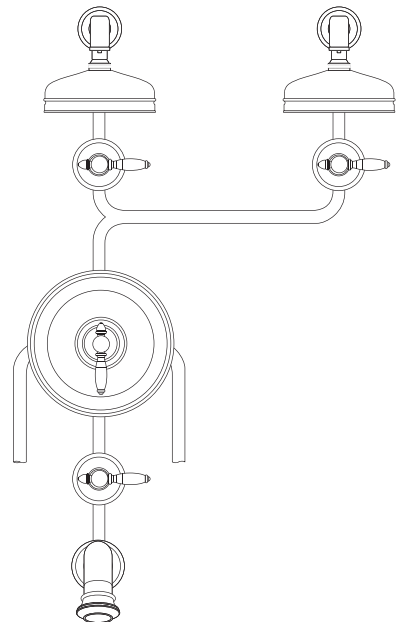


### 1 shower head & 3 body sprays



Each multi-output peripheral device i.e. Rain bars & multiple body sprays must use a pressure balancing loop installation method to ensure an even flow and out put of water from all peripherals. (use install diagrams)

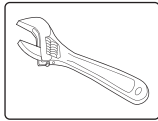
### 2 shower head & Tub spout



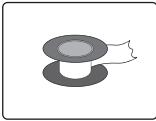
#### Huntington Brass Thermostatic program:

The HB thermostatic program is designed to be more versatile to comply with any kind of installation and device combination. The central 3/4" thermostatic valve puts out over 20 GPM flow rate which is more than enough water flow to work any number of out put devices simultaneously; Tub spouts, shower head, rain bars, and body sprays are all offered for you to customize your own personal shower set up.

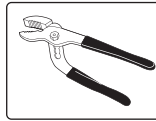
Tools You Will Need



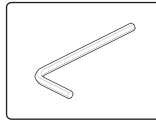
Adjustable Wrench



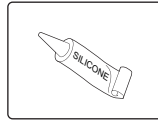
Pipe Tape



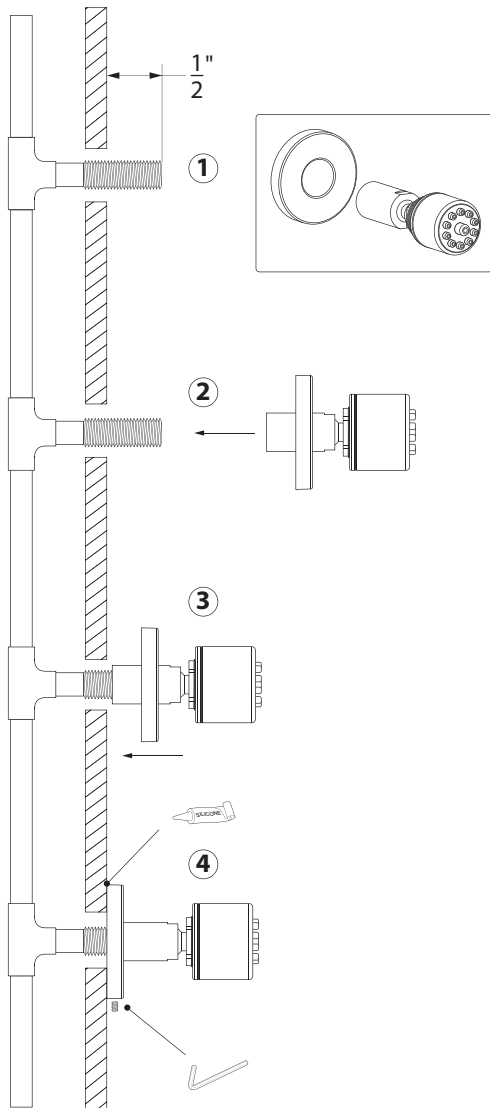
Groove joint plier



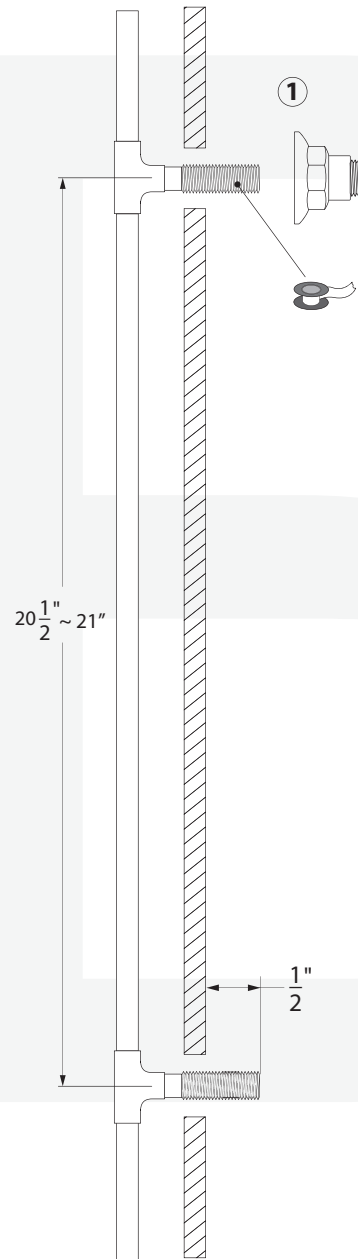
Allen Wrench



Silicone Caulking



- 1** First install the plumbing inside the wall such that there is 1/2" of nipple thread extending beyond the finished wall. Remember that in a multiple body spray installation. This means 2 or more body sprays installed in-line to function together, a pressure balancing loop must be used. (see reverse side installation diagrams for details) The body spray ball joint has a 1/2" NPSM thread with a rubber washer. No seal tape is necessary.
- 2** Prepare to install the body spray: First loosen the set screw on the flange and slide the flange on to the ball joint of the body spray. Screw the body spray onto the nipple extending from the wall. Make sure that the rubber washer is inserted. Hand tighten and then tighten one more half turn with a wrench. Be sure to use a cloth in between the finished part and the wrench to protect from damaging the finish.
- 3** Setting the flange: Once the body spray is fully installed, now you can set the flange into the proper position against the finished wall. Make sure that the set screw is loose before moving the flange. Slide the flange backwards until the back surface of the flange is flush with the wall surface. Rotate and position the flange such that the set screw hole is out of view and tighten the set screw down with the allen key securing the flange in place.
- 4** Sealing the flange: HB suggests using silicone caulking around the edge of the flange, between the flange and the finished wall to ensure a complete seal. This can be done by applying the silicone caulking where the flange and wall make contact and wipe clean, removing the excess.



- 1** Beginning Installation: First install the plumbing inside the wall such that there is 1/2" of nipple thread extending beyond the finished wall. The distance between the two connection points must be within 20.5" ~ 21". Remember that a rain bar installation also requires a pressure balancing loop (see the reverse side installation diagrams for details) The flange of the rain bar has 1/2" NPT thread. To begin the rain bar installation first remove the wall flange pieces from the rain bar. To do this simply unscrew the flange piece from the rain bar. Use the seal tape on the threaded nipple and then screw the flange onto the pipe. Hand tighten the connection and add a 1/2 turn with a wrench. Remember to use a cloth to protect the finish when applying the wrench.

- 2** Finishing Installation: Once the flanges are securely installed to the finished wall HB suggests using silicon caulking to seal any gap between the flange and the finished wall. This can be done by applying the silicone caulking where the flange and wall make contact and wipe clean, removing the excess. Before finishing the installation of the rain bar you must flush the line to avoid any debris from entering the device. Turn on the water supply and let run for 2-3 minutes. Once this is done simply install the rain bar onto the male thread side of the flanges by screwing the small lock down onto the flange. Make sure before tightening that the rubber washers are installed. When using the wrench make sure to use a soft cloth to protect the finish.

