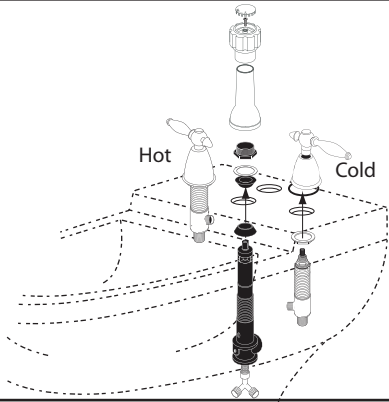
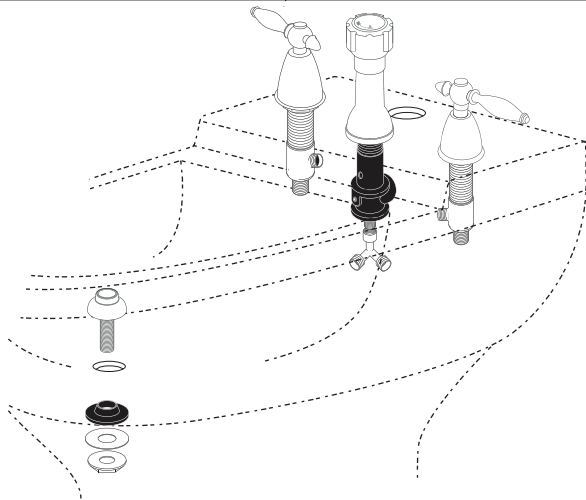




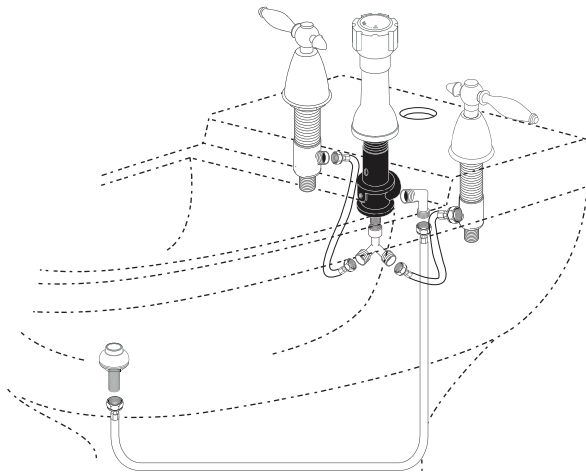
Bidet installation instructions



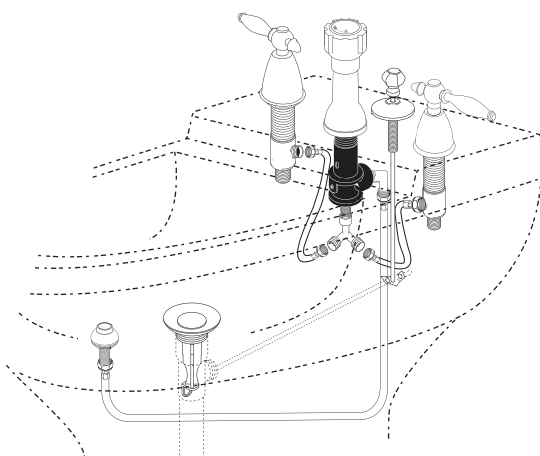
1. Before starting any installation be sure the water is turned off.
 - Install hot and cold valves and from the underside of the bidet ledge.
 - Install escutcheons and handles to the top of the valves. (Be sure to align handles to the desired position.)
 - Install transfer valve from the underside of the bidet ledge.
 - Install escutcheons and handle to the top of the transfer valve.



2. • Install sprayer to the bowl of the bidet.



3. • Install hoses and adapters to the valves and sprayer.



4. • Install pop-up and mechanism.
 - Turn water back on and inspect the whole installation for leaks and function.

