



ATLANTIS - Wall Mount Faucet ATWMxxASL

Description

- 8" wall mount faucet
- Ceramic disc cartridges
- Brass lever handles
- Solid brass Flühs valve body
- Spout reach 8 1/2"

Standards

- ASME A112.18.1 Compliant
- Listed IAPMO / UPC & CUPC
- ADA Accessibility Guidelines for Buildings and Facilities - 4.27.4 Controls and Mechanisms (lever handle only)
- NSF - 61-9 tested and approved
- CSA B125.1 Compliant and listed



Colors / Finishes

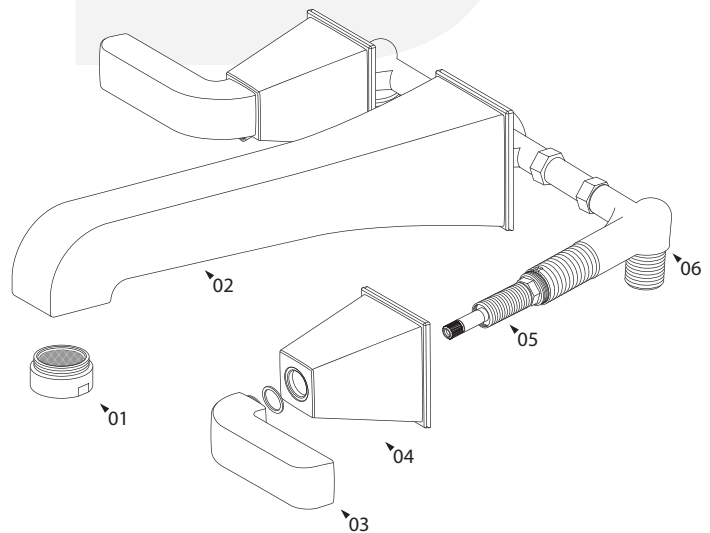
- | | |
|---------------------|----------------------------|
| 01 - Chrome | 29 - Polished Nickel |
| 12 - Satin Nickel | 70 - Polished Brass (PVD) |
| 20 - Antique Bronze | 71 - Polished Nickel (PVD) |
| 21 - Antique Brass | 72 - Satin Nickel (PVD) |
| 22 - Antique nickel | 73 - Satin Brass (PVD) |
| 23 - Antique Copper | |
| 24 - Satin Copper | |
| 27 - Matte Nickel | |
| 28 - ORB | |

Please add finish code when placing order for parts with using following finish code table. For example J handle in Chrome will be BJ-01, BJ-12 for Satin Nickel.

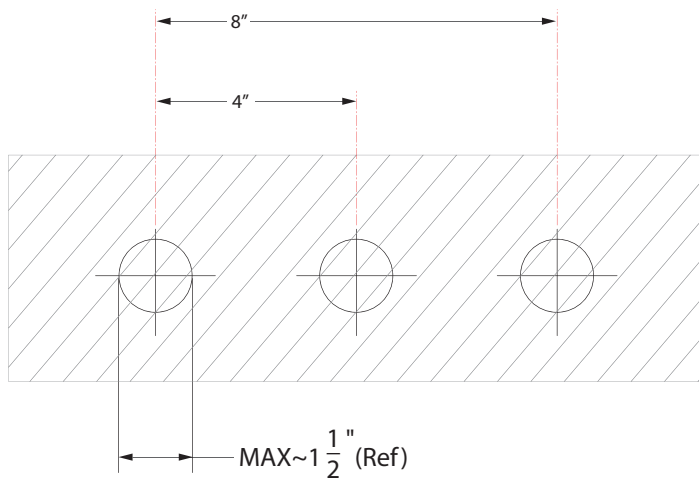
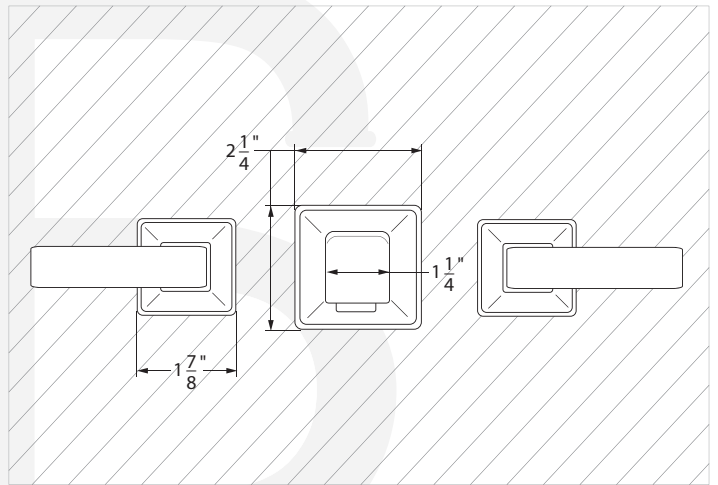
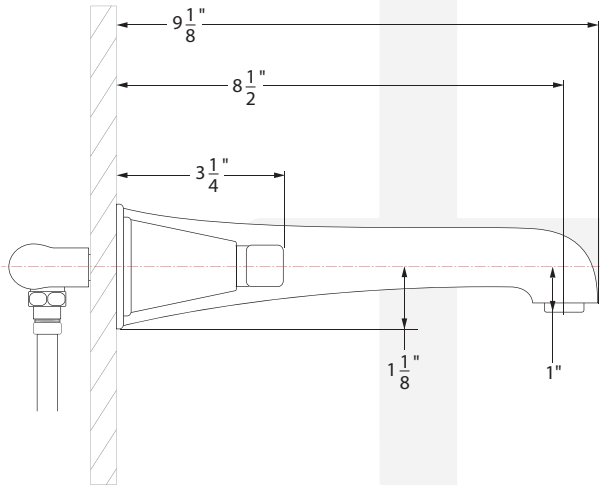
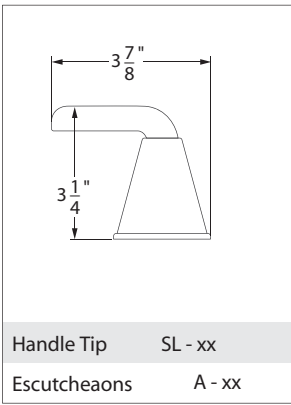
Special Handle & Escutcheon Option
N/A

BREAK DOWN Component Parts List

#	PART NAME	QTY
1	AERATOR	1
2	SPOUT	1
3	HANDLE TIP	2
4	ESCUTCHEONS	2
5	CARTRIDGE	1
6	VALVE BODY	1



SPECIFIED MODEL - Handle Option



Item Number	Type	Date
ATWM	Wall Mount	04/19/2006