



# SPECIFICATION / BREAK DOWN

## ATCSxxASL 4" center Set

### Description

- 4" center set faucet
- Ceramic disc cartridges
- Brass lever handles
- Brass pop-up

### Standards

- ASME A112.18.1 Compliant
- Listed IAPMO / UPC & CUPC
- ADA Accessibility Guidelines for Buildings and Facilities - 4.27.4 Controls and Mechanisms (lever handle only)
- NSF - 61-9 tested and approved



• ATCSxxATL

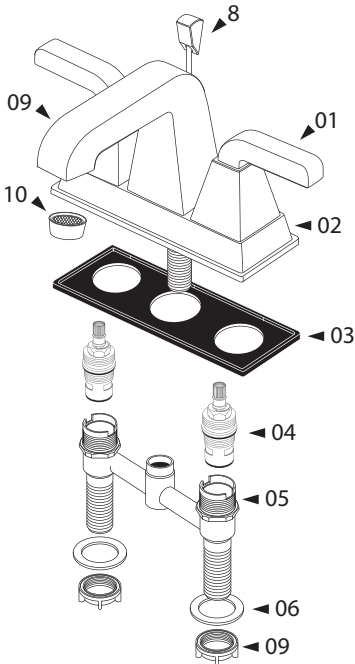
### Colors / Finishes

- |                     |                            |
|---------------------|----------------------------|
| 01 - Chrome         | 29 - Polished Nickel       |
| 12 - Satin Nickel   | 70 - Polished Brass (PVD)  |
| 20 - Antique Bronze | 71 - Polished Nickel (PVD) |
| 21 - Antique Brass  | 72 - Satin Nickel (PVD)    |
| 22 - Antique nickel | 73 - Satin Brass (PVD)     |
| 23 - Antique Copper |                            |
| 24 - Satin Copper   |                            |
| 27 - Matte Nickel   |                            |
| 28 - ORB            |                            |

Please add finish code when placing order for parts with using following finish code table. For example J handle in Chrome will be BJ-01, BJ-12 for Satin Nickel.

### BREAK DOWN Component Parts List

#	PART NAME	QTY
1	HANDLE	2
2	BODY	2
3	DECK PLATE	2
4	CARTRIDGE	2
5	VALVE BODY	2
6	RUBBER WASHER	2
7	WING NUT	2
8	BRASS POP_UP	1
9	SPOUT	1
10	AERATOR	2



### Atlantis 4" center set

