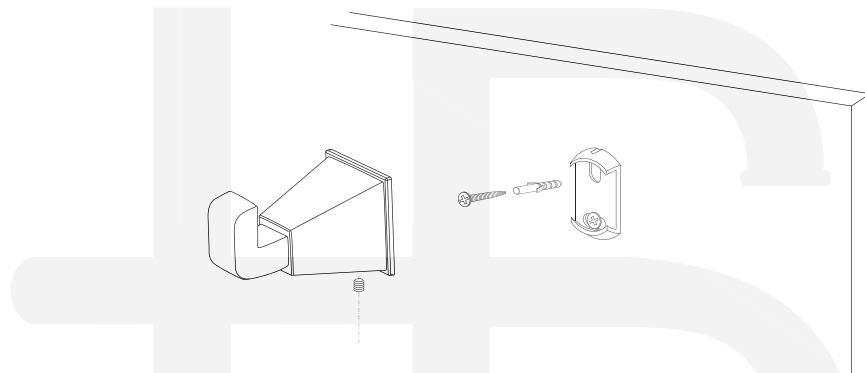


ATBAxxTR

Description

- Towel Ring
- Easy to install bracket assembly
- Available in Huntington Brass special finishes



Install the bath accessory by placing it over the mounting plate. From underneath tighten the lock screw with a hex wrench. Make sure that the bath accessory does not move and or wiggle back and forth. If it does remove it from the mounting plate and repeat the step. Make sure the escutcheon base is touching the wall.