



ARTHxxPK1 - Basic Thermostatic package

Description

- Shower arm - (1506-xx)
- Brass Construction.
- Shower head - (138-Axx)
- 2.0 GPM ASME Compliant
- 6 jet adjustable spray.
- 1/2" IPS Connection
- Handle trim (2) - (RAL-xx)
- Brass Construction.
- Stop valves (2) - (PL2000W)
- 3/4" Fittings
- Ceramic disc cartridge.
- Valve trim - (AR8950-xx)
- Brass lever handle
- Brass face plate
- Thermostatic valve - (PL8950-00)
- Super high flow 3/4" Thermostatic valve body
- Complies w/ ASSE 1016 standard
- Flow Rate : 20 GPM
- Made in ITALY
- IAPMO listed and approved UPC
- Tub spout - (PLHSPxx)
- Brass Construction.

• ARTHxxPK1



Standards

- Complies with IAPMO cUPC
- ASSE 1016
- ADA Accessibility Guidelines for Buildings and Facilities - 4.27.4 Controls and Mechanisms (lever handle only)

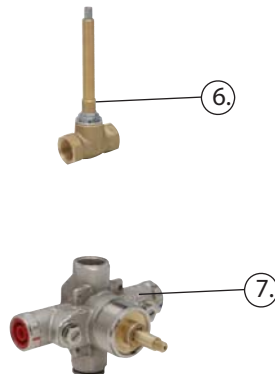


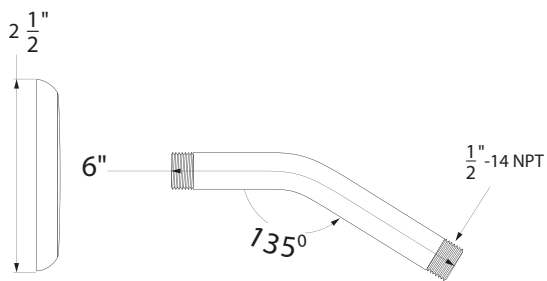
Colors / Finishes

- 01 - Chrome
- 12 - Satin Nickel
- xx - Special Finish (Please reference the Platinum Catalog)

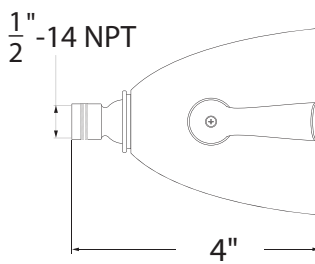
BREAK DOWN Component Parts List

NO.	Part No	Qty
01	1506-XX	1
02	134-XX	1
03	RAL-XX	2
04	AR8950-XX	1
05	PLHSPXX	1
06	PL2000W	2
07	PL8950-00	1

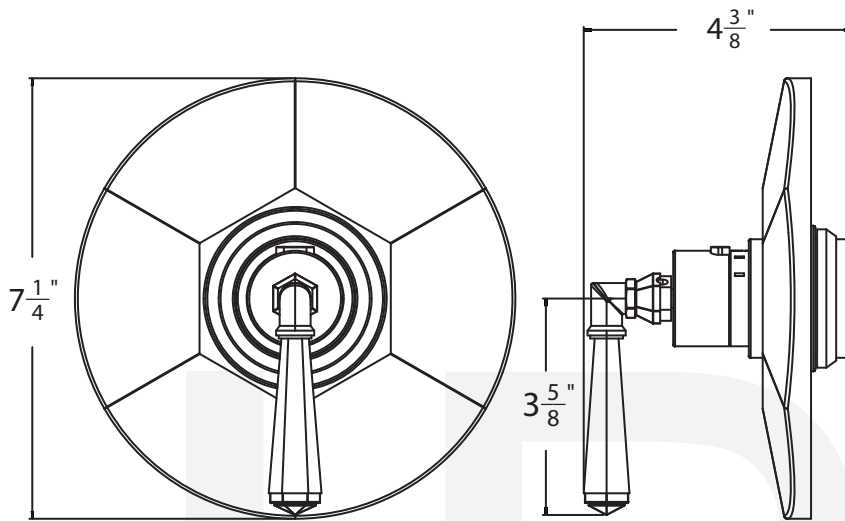
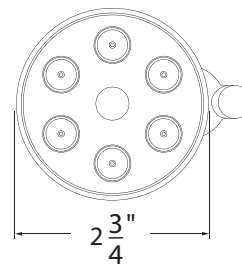




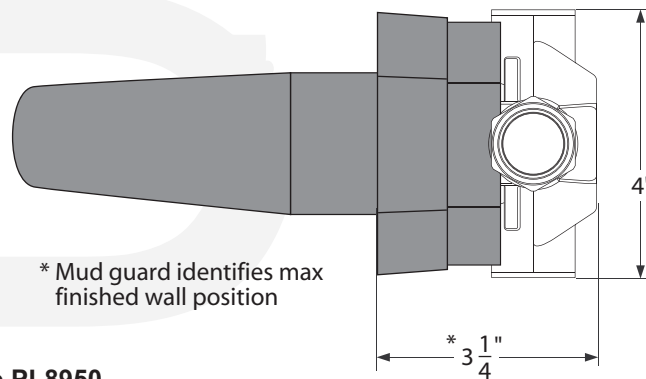
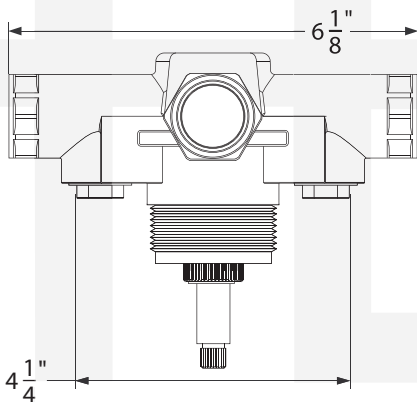
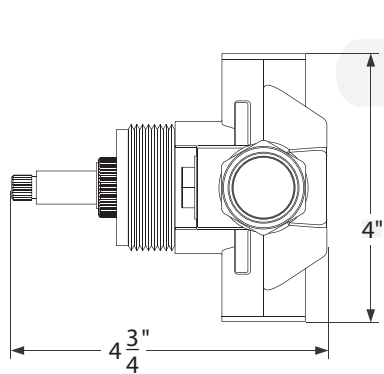
Shower arm



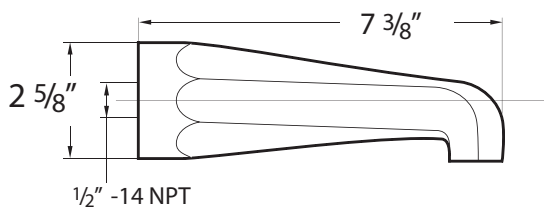
Shower head



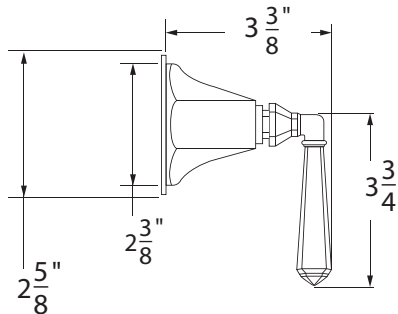
Face Plate



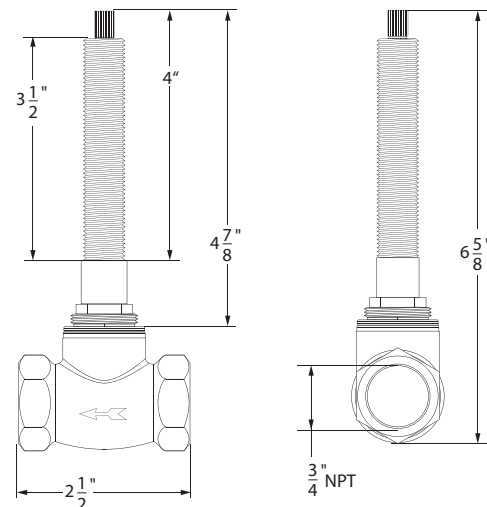
Thermostatic Valve PL8950



Tub Spout PLHSPxx



Handle Trim RAL-xx



Stop Valve PL2000W

Item Number	Type	Date
ARTHxxPK1	Basic Thermostatic Package	9/12/2011