

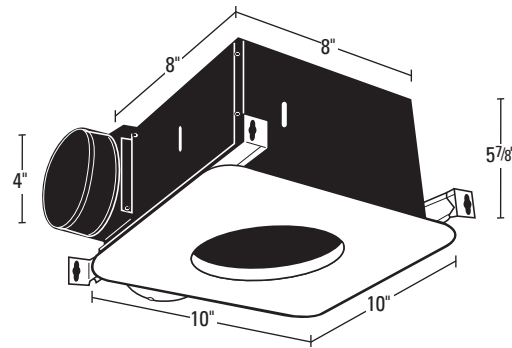


SPECIFICATIONS
AK917
 HEATER WITH EXHAUST FAN



70 CFM/3.5 Sones @ 0.10" SP., 120 Volts, 2.6 amps, 60 hz.

- **Grill**
White, polymeric grill (flame retardant ABS UL rated 94-5V) secured in place with torsion springs; easily removed if necessary, dimensions - 10" x 10".
- **Blower Wheel**
One piece polymeric wheel, 3 7/8" diameter, 2 1/2" wide with 21 fins.
- **Motor**
Heavy duty, plug in 2 pole motor. Life time lubrication, thermally protected. Rated 120 volts, 60 hz., 0.90 amps.
- **Fan Housing**
23 gauge galvanized steel housing. Dimensions 8 1/4" x 8" x 5 7/8".
- **Duct Collar**
Plastic collar for 4" duct connection, comes complete with built in non-metallic back draft damper for quiet operation.
- **Ventilating Area**
For bathrooms up to 70 sq. ft.
- **Lamping Information**
1 - 250 watt maximum, type R40 bulb, medium base, 850 Btu. with shaped aluminum socket housing with porcelain socket. (lamp not included)



CUL/HVI - TYPE IC RATED

- **Unit Mounting**
The housing will mount in ceilings with at least 6" of clearance and through drywall thickness up to 3/4", with a rough-in opening of 8 1/4" x 8". Rated for ceilings insulated to R-40. The housing will mount between 16" on center joists, using the 4 supplied housing mounting rails.
- **Single Pack Shipping Info**
Box Dim: 14 1/4" x 11 1/2" x 7 3/4"
UPC: 0-8316227001-6
Shipping Weight: 7 lbs.

PERFORMANCE										
	Static Pressure (inches of w.g.)							HVI Sones @ .1 SP	Fan Speed RPM	Power Watts
	0	0.05	0.1	0.125	0.15	0.2	0.25			
Air Flow - CFM										

PROJECT					ARCHITECT				
LOCATION					ENGINEER				
CONTRACTOR					SUBMITTED BY				DATE
FAN NUMBER	MODEL NUMBER	CFM	IN W.G.	RPM	WATTS	AMPS	SONES	QTY	OPTIONAL EQUIPMENT & REMARKS



U.S.: 820 Lincoln Avenue
 West Chester, Pennsylvania 19380-4466
 Tel: (610) 692-7400 • 877-304-3785
 Fax: (610) 696-8048

Canada: 8 Edvac Drive
 Brampton, Ontario L6S 5P2
 Tel: (905) 456-2033
 Fax: (905) 456-1015