



AB-HB8710-C

Description

- Metal loop handle
- 8" pull-out kitchen faucet
- 180° swing angle, 9" detachable sprayer
- Stainless steel ball washerless valve
- Soft button hand sprayer
- 48" brass spiral spray hose
- 2.0 GPM ASME complaint

Standards

- ASME A112.18.1 Compliant
- Listed IAPMO / UPC
- ADA Accessibility Guidelines for Buildings and Facilities - 4.27.4 Controls and Mechanisms (lever handle only)
- NSF - 61-9 tested and approved
- CSA B125.1 Compliant
- Complies with California AB1953



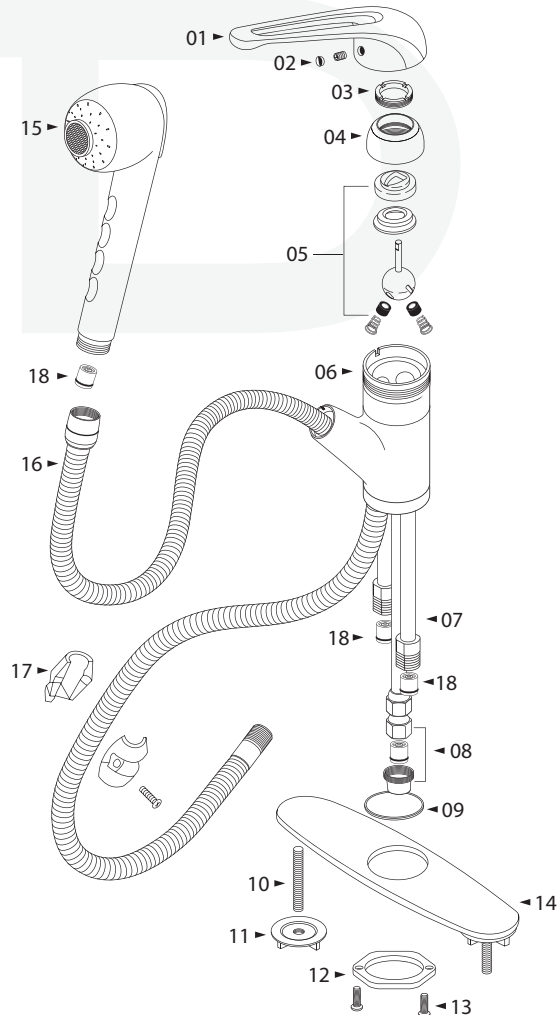
Colors / Finishes

- C- Chrome
- NK- Satin Nickel

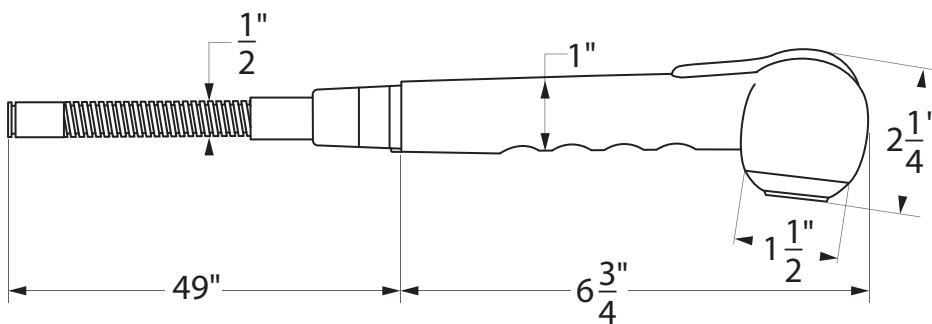
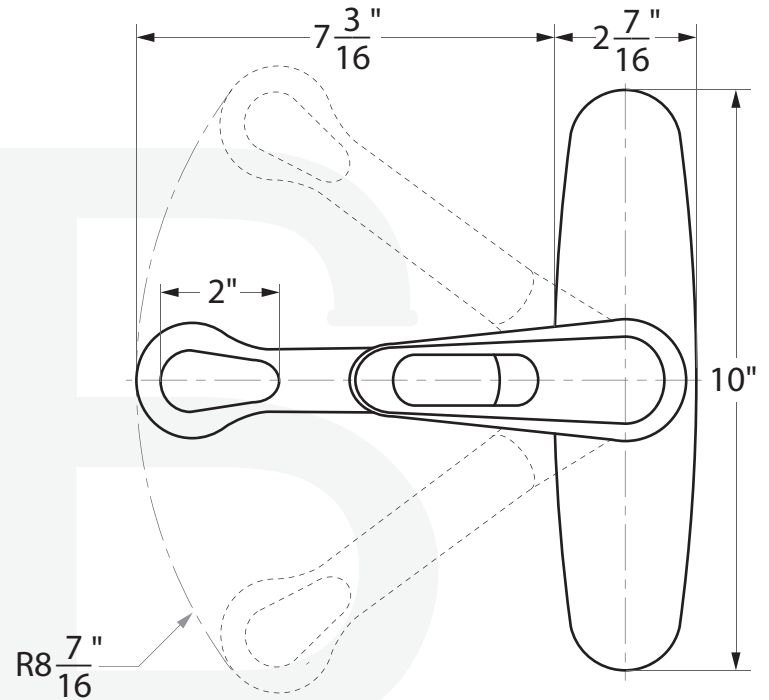
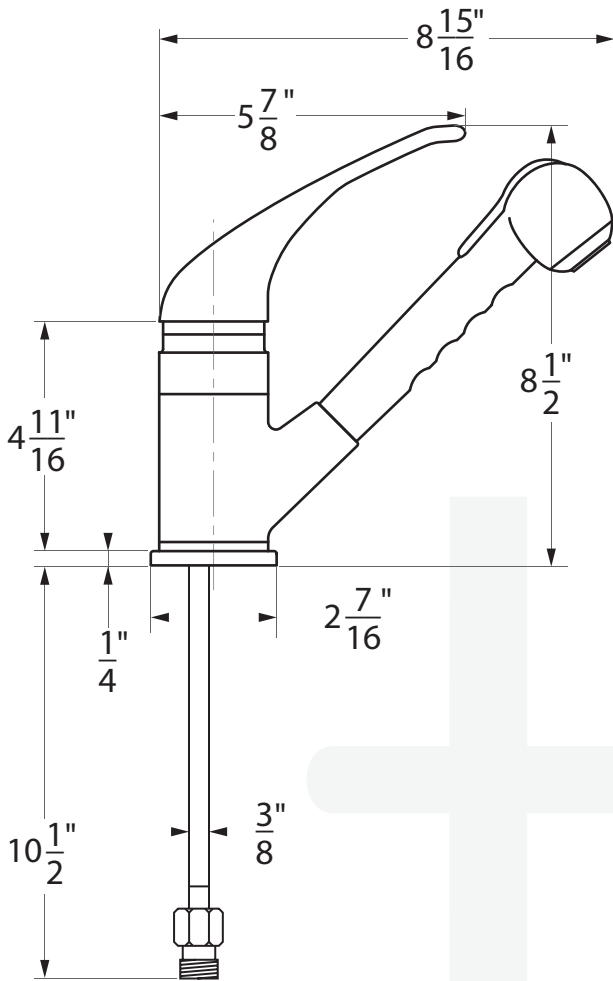
BREAK DOWN Component Parts List

#	PART NAME	QTY
01	Handle	1
02	Index Button & Set Screw	1ea.
03	Cartridge Retaining Nut	1
04	Cap	1
05	Ball valve Cartridge Assembly	1
06	Faucet Body 2pc	1
07	Supply Lines & Spray Connection	3
08	Check valve (HB8710 only)	2
09	Rubber Ring	1
10	Mounting Screw	2
11	Mounting Nut	2
12	Mounting Nut	1
13	Screw Lock Nut	2
14	Deck Plate	1
15	Hand Sprayer	1
16	Sprayer Hose	1
17	Hose Weight	1
18	Check Valves for supply line & hand spray*	3

* Check valves are in supply line connections on HB8720 only
HB8710 uses the position 08 check valve.



DIMENSIONS SPECIFICATION



Item Number	Type	Date
AB-HB8710-xx	Pull-Out Kitchen	12/06/2005