



SPECIFICATION / BREAK DOWN

80350-xx - Vessel Filler

Description

- Tall vessel filler
- Metal lever handle
- Lift and turn ceramic disc cartridge
- 1.5 GPM ASME compliant

Standards

- Complies with IAPMO UPC/cUPC
- California AB1953 compliant
- NSF - 61-9 tested and compliant
- ADA Accessibility Guidelines for Buildings and Facilities - 4.27.4 Controls and Mechanisms
- CALGreen compliant
- EPA WaterSense Certified by IAPMO R&T



Colors / Finishes

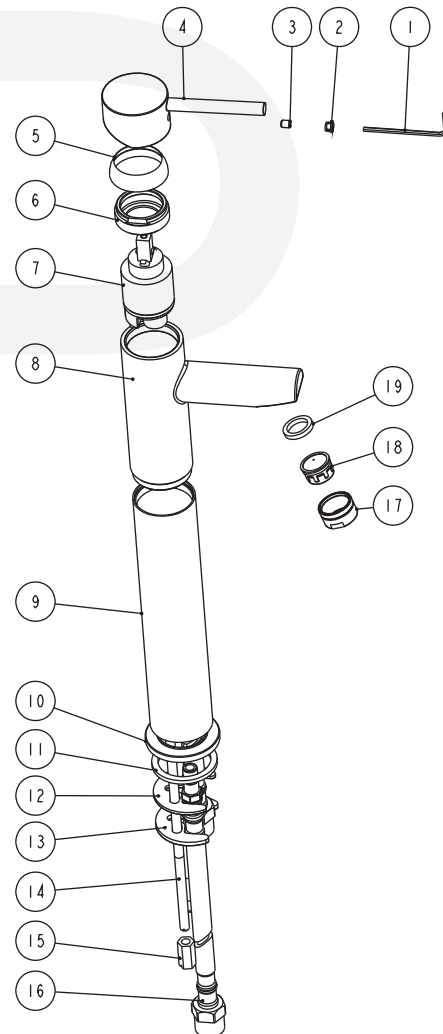
- 01 - Chrome
- 72 - PVD Satin Nickel

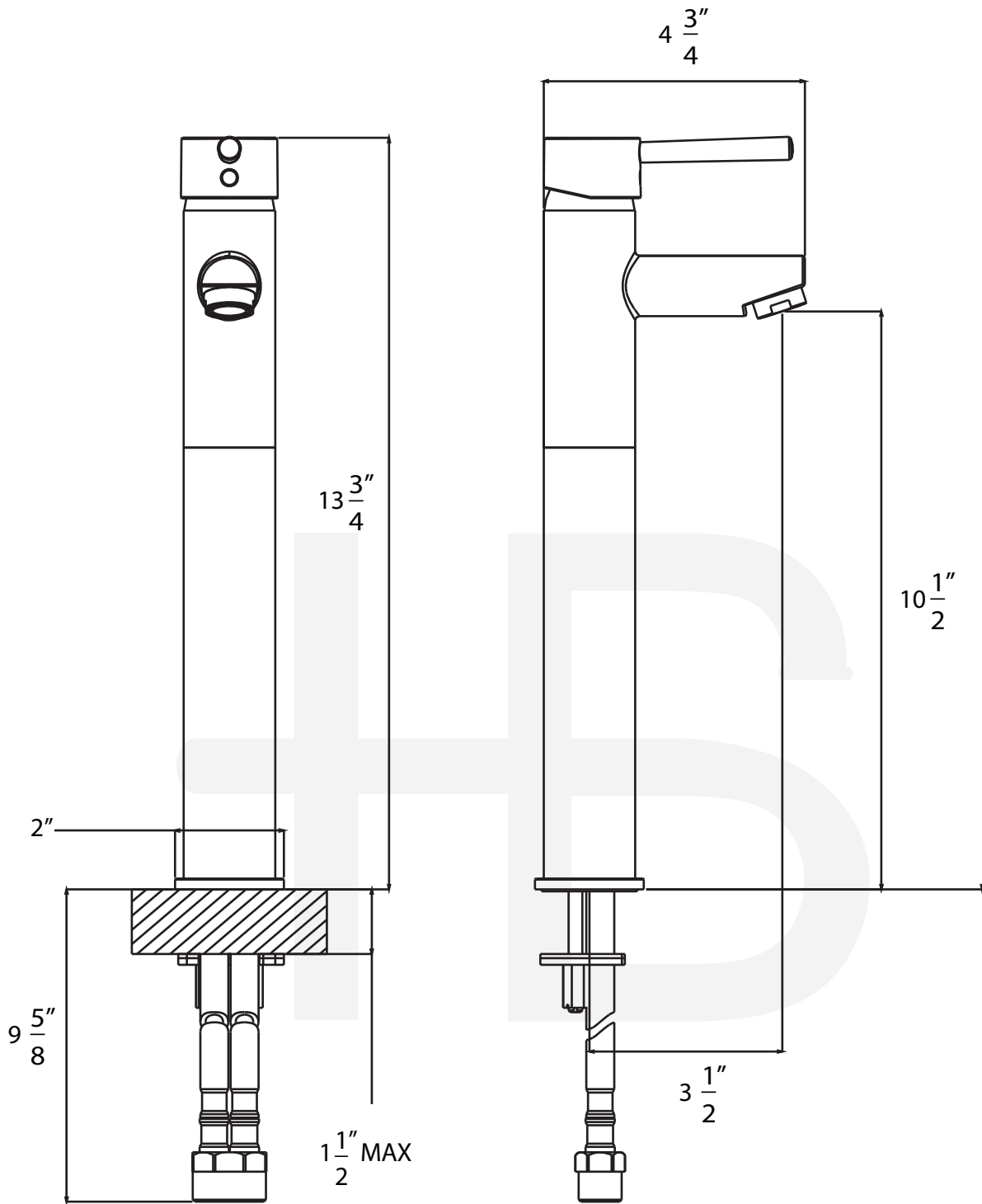


• 80350-xx

BREAK DOWN Component Parts List

| NO. | Part No | Qty |
|-----|----------|-----|
| 01 | CCQT0002 | 1 |
| 02 | CTCP0072 | 1 |
| 03 | CTST0117 | 1 |
| 04 | CTHZ0281 | 1 |
| 05 | CTCP0366 | 1 |
| 06 | CTKB0107 | 1 |
| 07 | ATBA0134 | 1 |
| 08 | CTYN0041 | 1 |
| 09 | ATBP0221 | 1 |
| 10 | CTDB0287 | 1 |
| 11 | CTWR0025 | 1 |
| 12 | CTWR0199 | 1 |
| 13 | CTKL0001 | 1 |
| 14 | CTST0235 | 2 |
| 15 | CTNB0063 | 2 |
| 16 | ATBP0062 | 2 |
| 17 | CTXB0053 | 1 |
| 18 | ATBX0040 | 1 |
| 19 | CTWR0254 | 1 |





| Item Number | Type | Date |
|-------------|---------------|-----------|
| 80350-xx | Vessel Filler | 3/10/2011 |