



70630-xx- Tub and Shower

Description

- Tub & shower trim kit
- "SIENNA (70)" metal lever handle
- 5" face shower head
- 3 setting shower head
- 1.5 GPM ASME compliant
- VALVE SOLD SEPARATELY

Standards

- Complies with IAPMO UPC/cUPC
- ADA Accessibility Guidelines for Buildings and Facilities - 4.27.4 Controls and Mechanisms
- CALGreen compliant



CALGreen

• 70630-xx

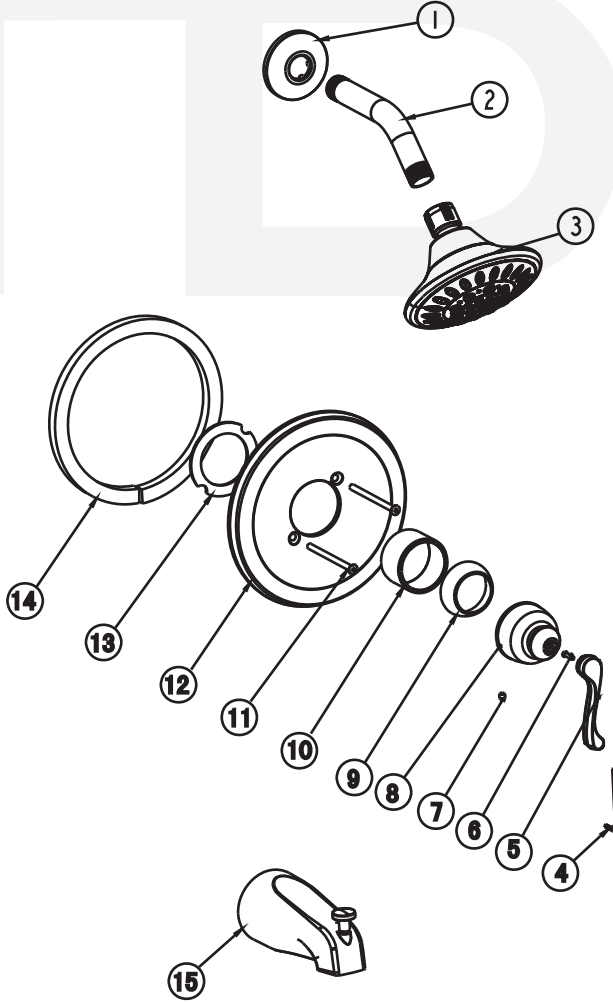


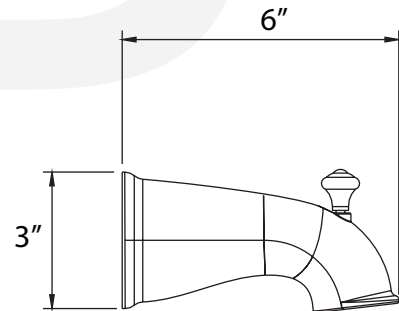
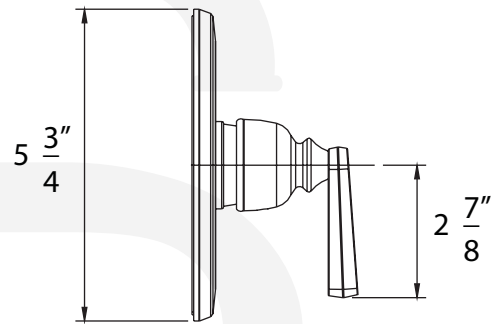
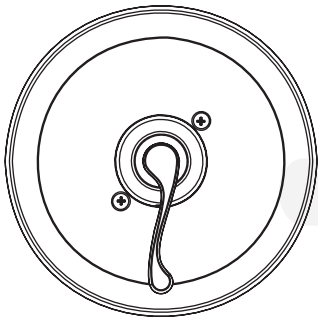
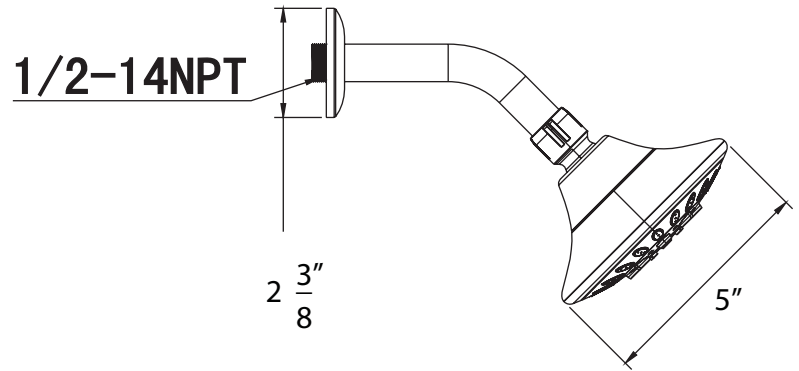
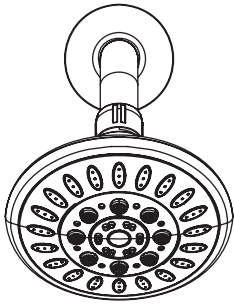
Colors / Finishes

- 01 - Chrome
- 72 - PVD Satin Nickel
- 20 - Antique Bronze

BREAK DOWN Component Parts List

NO.	Part No	Qty	
		70610	70630
01	CTCT0043	1	1
02	CTPB0470	1	1
03	ATBE0130	1	1
04	CCQT0002	1	1
05	CTHZ0328	1	1
06	CTST1104	1	1
07	CTST4101	1	1
08	CTCZ0190	1	1
09	CTCB0185	1	1
10	CTCT0053	1	1
11	CTST0230	2	2
12	CTCT0052	1	1
13	CTWP0223	1	1
14	CTWP0192	1	1
15	ATBF0140	1	1





Item Number	Type	Date
70630-xx	Tub and Shower	3/10/2011