



63610-xx Shower Only

Description

- Shower trim kit
- "CYPRESS (63)" Lever handle
- 3" face shower head
- Single setting shower head
- 1.5 GPM ASME Compliant
- VALVE SOLD SEPARATELY

Standards

- Complies with IAPMO UPC/cUPC
- ADA Accessibility Guidelines for Buildings and Facilities - 4.27.4 Controls and Mechanisms
- CALGreen compliant



• 63610-xx

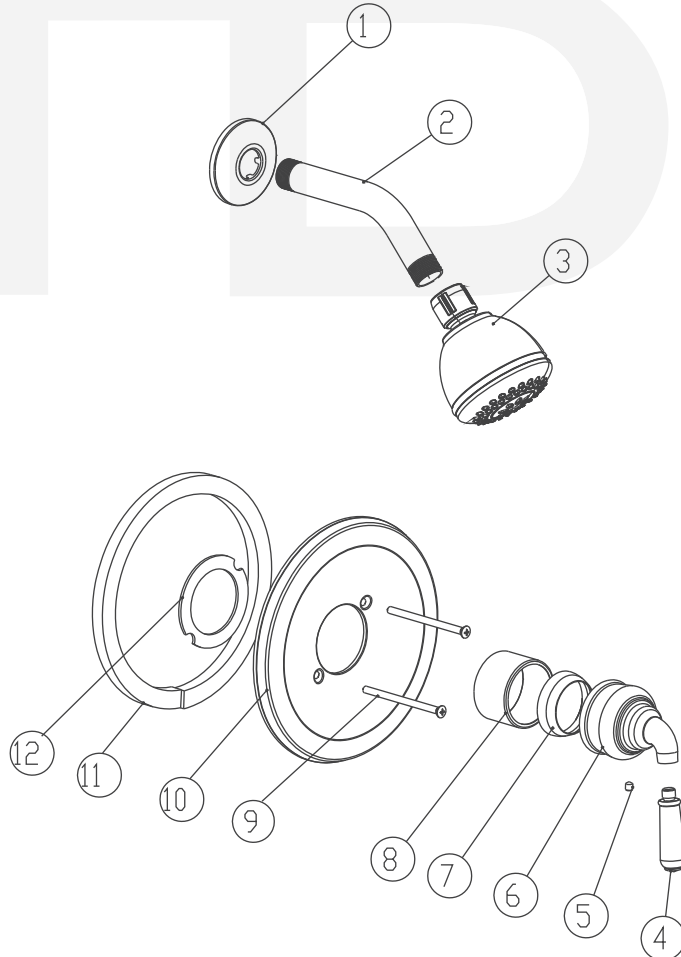


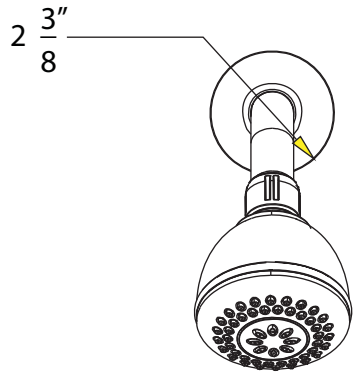
Colors / Finishes

- 01 - Chrome
- 72 - PVD Satin Nickel
- 20 - Antique Bronze

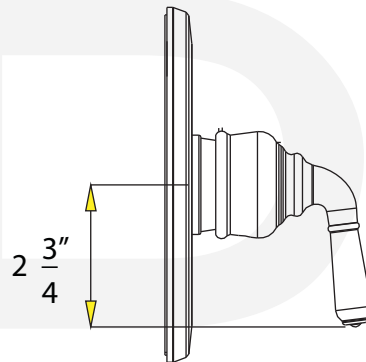
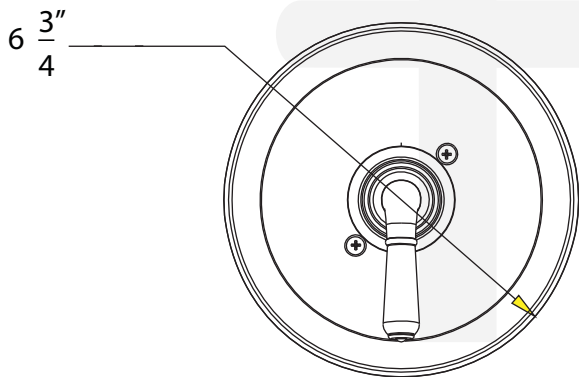
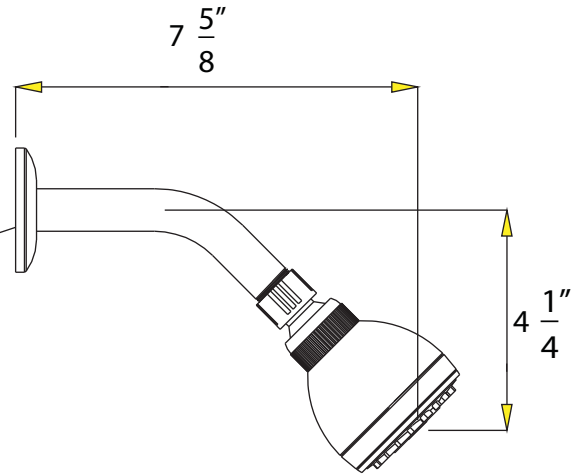
BREAK DOWN Component Parts List

NO.	Part No	Qty	
		63610	63630
01	CTCT0043	1	1
02	CTPB0470	1	1
03	ATBE0123	1	1
04	CTHP0035	1	1
05	CTST4101	1	1
06	CTCZ0192	1	1
07	CTCB0185	1	1
08	CTCT0053	1	1
09	CTST0230	2	2
10	CTCT0052	1	1
11	CTWP0192	1	1
12	CTWP0223	1	1





1/2-14NPT



Item Number	Type	Date
63610-xx	Shower Only	3/22/2011