







### 51190-xx - 51191-xx Kitchen Faucet

#### Description

- Single handle kitchen faucet
- 360 deg swing angle, high arch brass spout
- Ceramic disc cartridge
- With Pull down sprayer
- 1/2" NPS connections
- 2.0 GPM ASME compliant
- Optional 1.75 GPM restrictor

#### Standards

- Complies with IAPMO UPC/cUPC 
- California AB1953 compliant 
- NSF - 61-9 tested and compliant
- ADA Accessibility Guidelines for Buildings and Facilities - 4.27.4 Controls and Mechanisms 
- CALGreen compliant (with 1.75 GPM aerator) 

#### Colors / Finishes

- 01 - Chrome
- 72 - PVD Satin Nickel
- 20 - Antique Bronze

• 51190-xx

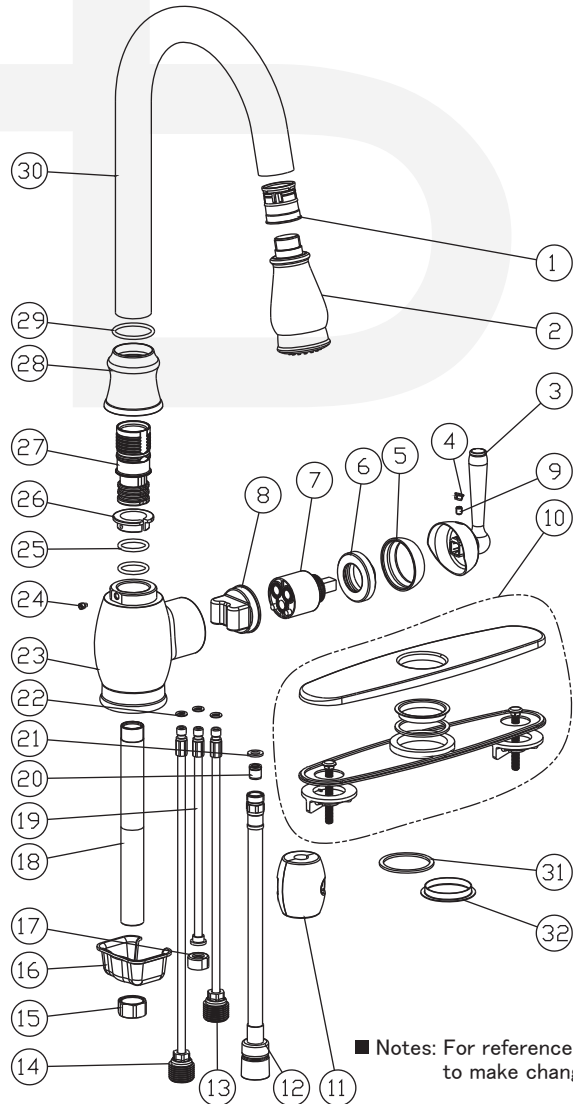


• 51191-xx

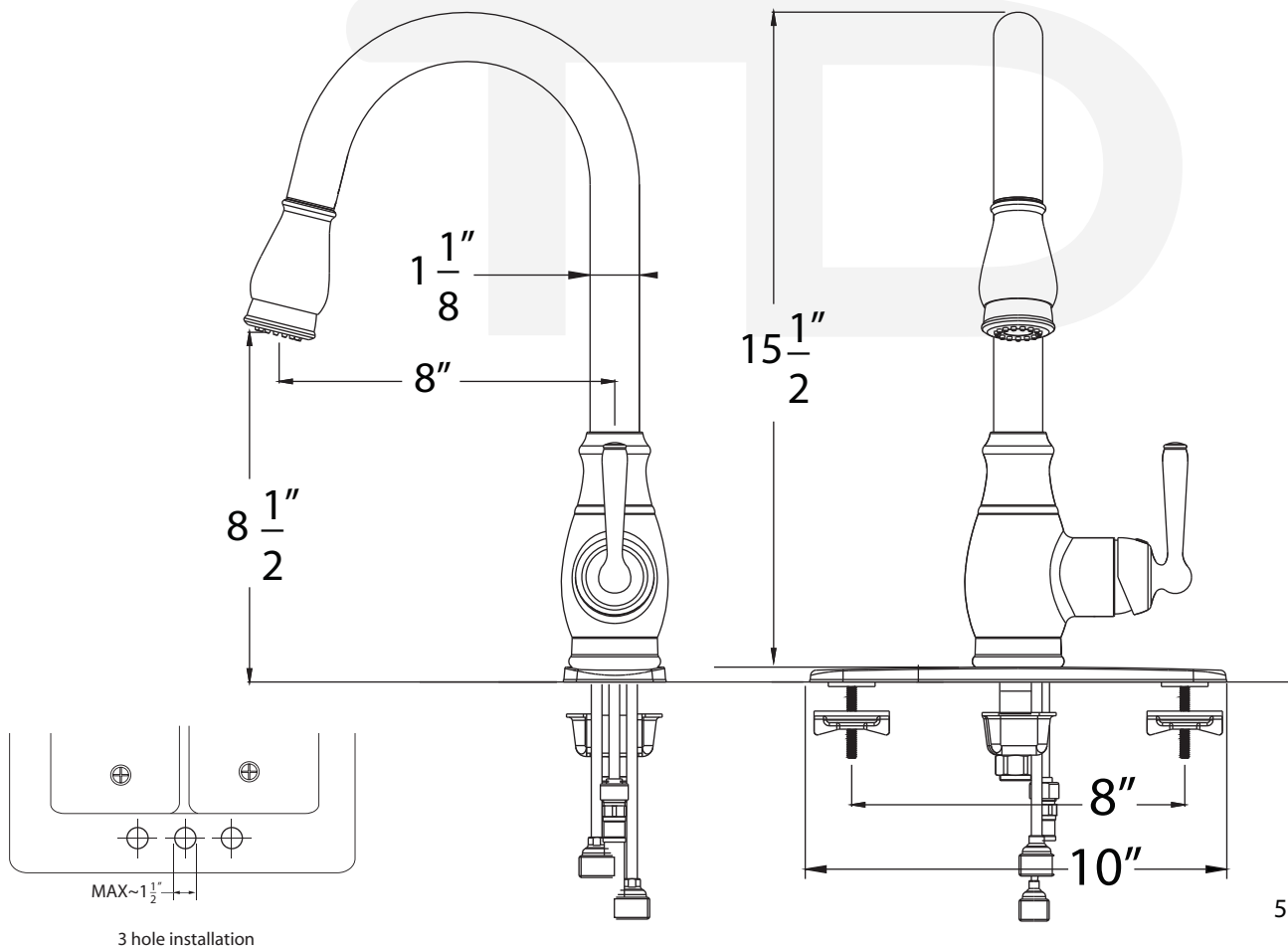
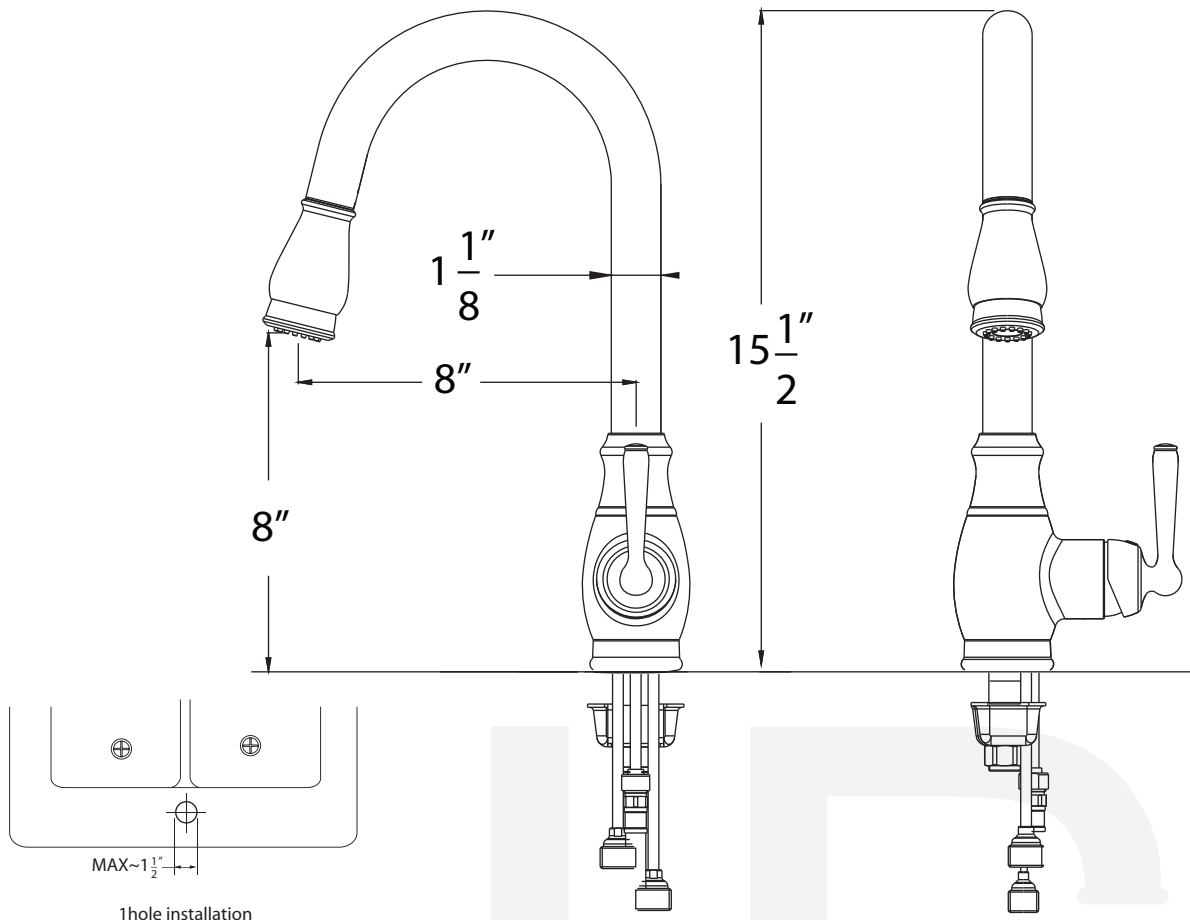


### BREAK DOWN Component Parts List

NO.	Part No	Qty	
		51190	51191
01	CTCP0375	1	1
02	ATBE0163	1	1
03	CTHZ0449	1	1
04	CTCP0072	1	1
05	CTCB0653	1	1
06	CTKB0058	1	1
07	ATBA0121	1	1
08	CTDN0023	1	1
09	CTST0117	1	1
10	ATBQ0295	0	1
11	ATBQ0313	1	1
12	ATBP0251	1	1
13	ATBP1009	1	1
14	ATBP1008	1	1
15	CTNB0276	1	1
16	CTLT0020	1	1
17	CTNB0277	1	1
18	CTPB0498	1	1
19	ATBP0252	1	1
20	ATBA0100	1	1
21	CTWR0037	1	1
22	CTRR0182	3	3
23	CTYZ0014	1	1
24	CTST0059	1	1
25	CTRR0013	2	2
26	CTRP0051	1	1
27	CTMP0049	1	1
28	CTCZ0216	1	1
29	CTRR0218	1	1
30	CTPB0550	1	1
31	CTWR0351	1	0
32	CTWT0087	1	0



■ Notes: For reference only. We reserve the right to make changes without any notice.



Item Number	Type	Date
51190-xx 51191-xx	Kitchen Faucet	11/30/2012