

FS24L

19.63" x 18.5" x 17.63" (H x W x D)

Compact all-freezer for general purpose use, manual defrost with lock

Highlights:

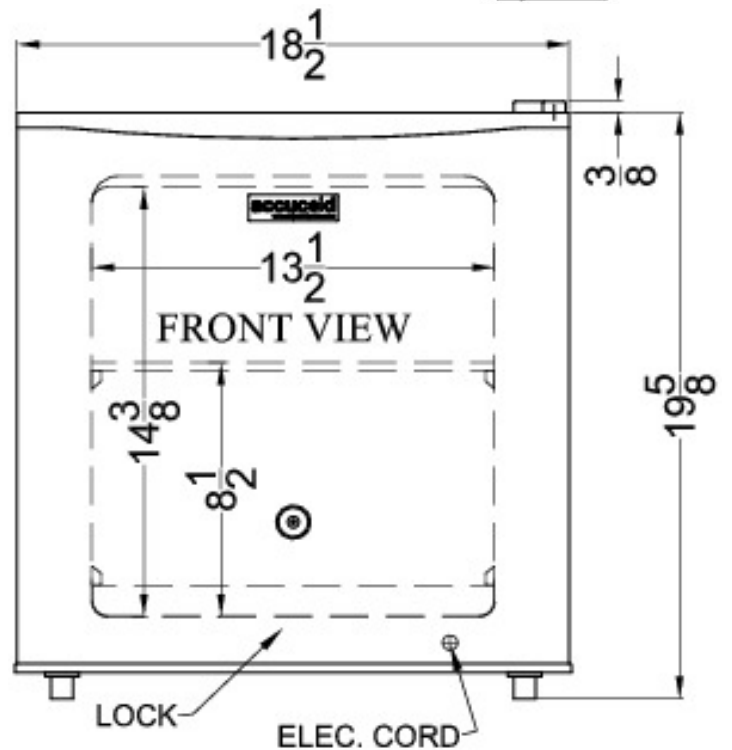
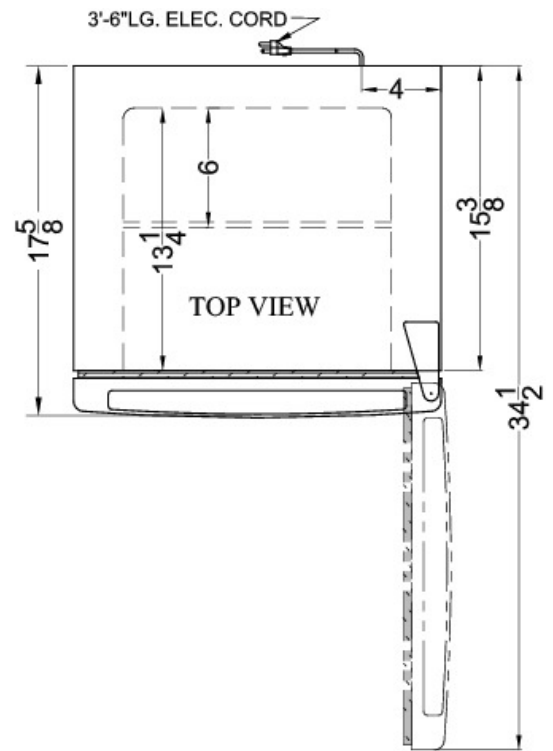
- Compact "cube" size is ideal for use on top of counters
- Factory installed lock provides security you can count on
- Designed for general purpose use in medical and scientific facilities
- Reversible door offers flexible placement



Compact size	Convenient "cube" shape is ideal for use on top of counters
Factory installed lock	Keyed lock for a secure interior
Manual defrost	Static cooling system
One-piece interior liner	Seamless interior for easier cleanup
Removable shelf	Includes one wire shelf for easier storage
Reversible door	User reversible door swing for added flexibility
Adjustable thermostat	Dial thermostat for easy temperature management
Flat door liner	Designed to comply with CDC guidelines
100% CFC Free	Environmentally friendly design with no ozone-damaging chemicals

FS24L Specifications:

Height	19.63"
Width	18.5"
Depth	17.63"
Capacity	1.4 cu.ft.
Interior Height 1	14.38"
Interior Width 1	13.5"
Interior Depth 1	13.25"
Comp Step Height	8.5"
Comp Step Width	13.5"
Comp Step Depth	6.0"
Shipping Weight	55.0 lbs.
Weight	31.0 lbs.
Voltage/Frequency	115 V AC/60 Hz
Canadian Electrical Safety	ETL-C
US Electrical Safety	ETL
Amps	0.8
Reversible	Yes
Door Swing	RHD
Shelf Quantity	1
Shelf Type	Wire
Defrost Type	Manual
Depth with door at 90°	34.5"
Height to Hinge Cap	20.0"
Thermostat Type	Dial
Level Legs Quantity	2
Freon Oz	1.5
Refrigerant Type	R134a
Compressor Warranty	5 Years
Parts/Labor Warranty	1 Year



Summit Appliance Division, Felix Storch, Inc.
 770 Garrison Ave • Bronx, NY 10474
 Phone: 718-893-3900 • Fax: 718-842-3093
 Email: info@summitappliance.com