



16433-xx - 4" center Set

Description

- 4" center set lavatory faucet
- Zinc die cast housing
- 90° turn washer-less cartridges
- 50-50 Pop-up
- 1/2" NPS connections
- 1.5 GPM ASME compliant
- California AB1953 compliant

Standards

- Complies with IAPMO UPC/cUPC
- California AB1953 compliant
- NSF - 61-9 tested and compliant
- ADA Accessibility Guidelines for Buildings and Facilities - 4.27.4 Controls and Mechanisms
- CALGreen compliant
- EPA WaterSense Certified by IAPMO R&T



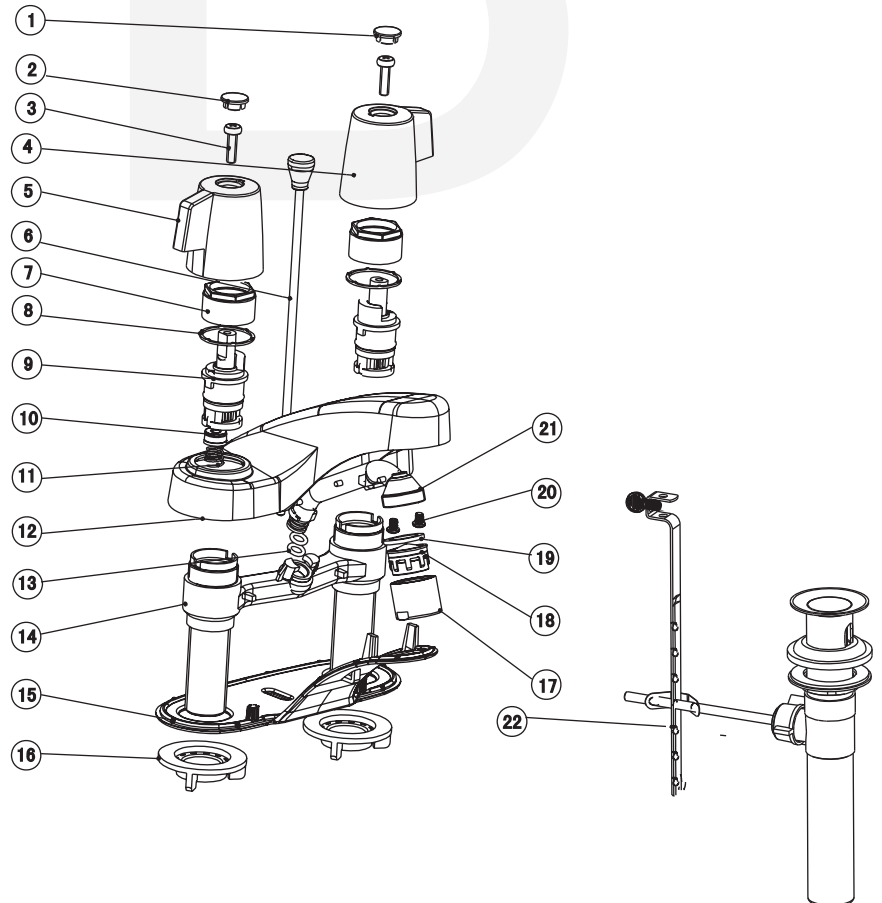
• 16433

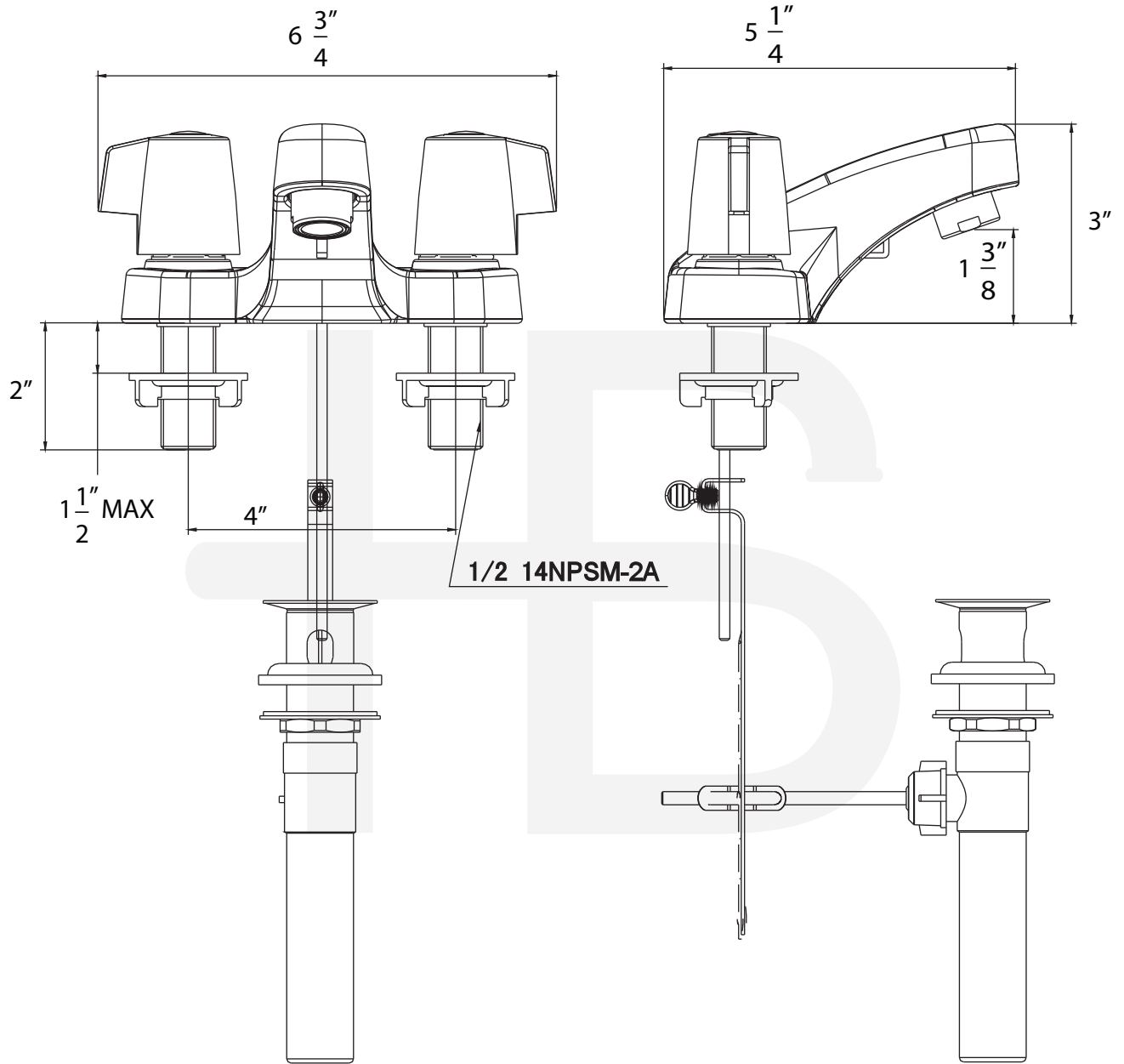
Colors / Finishes

01 - Chrome

BREAK DOWN Component Parts List

NO.	Part No	Qty
01	CTCP0191-XC	1
02	CTCP0191-XH	1
03	CTST0057	2
04	CTHP0041	1
05	CTHP0042	1
06	ATBM0022	1
07	CTNZ0004	2
08	CTWP0075	2
09	ATBA0125	2
10	CTWR0304	2
11	CTBT0079	2
12	CTCZ0157	1
13	CTRR0066	2
14	ATBY0183	1
15	CTCP0365	1
16	CTNP0011	2
17	CTXB0071	1
18	ATBX0040	1
19	CTWR0021	1
20	CTST1000	2
21	CTPP0036	1
22	ATAA0067	1





Item Number	Type	Date
16433-01	Center Set	3/22/2011