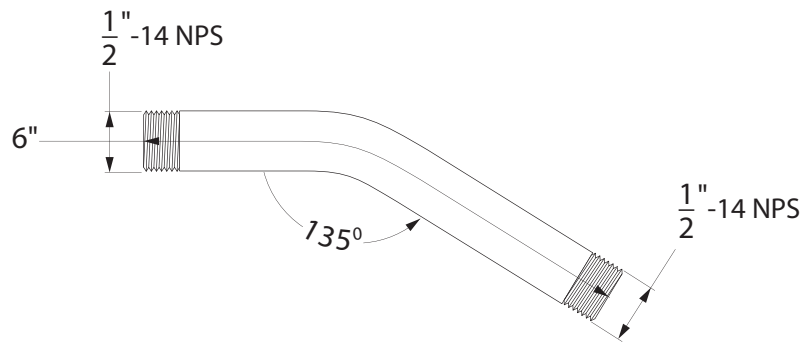
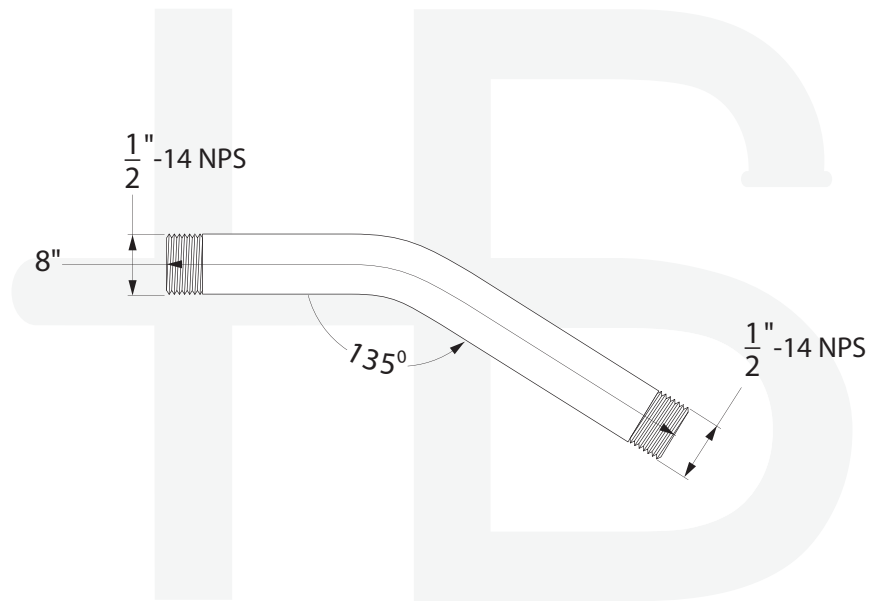


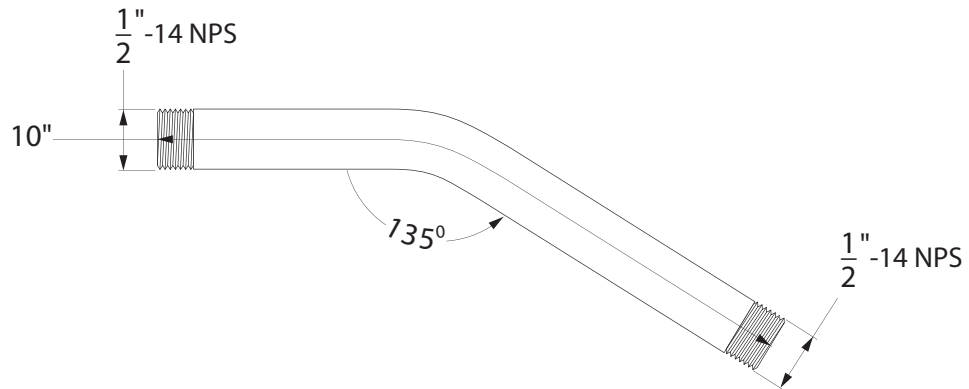
1506-xx



1508-xx



1510-xx



Item Number	Type	Version	Date
1506-xx / 1508-xx / 1510-xx	Shower Arm	D	07/29/2005