



14433-xx - 4" center Set

Description

- Metal lever handles
- "Trend" 4" center set lavatory faucet
- Zinc die cast housing
- 90 deg turn washer-less cartridges
- 50/50 pop-up
- 1/2" NPS connections
- 1.5 GPM ASME compliant

Standards

- Complies with IAPMO UPC/cUPC
- California AB1953 compliant
- NSF - 61-9 tested and compliant
- ADA Accessibility Guidelines for Buildings and Facilities - 4.27.4 Controls and Mechanisms
- CALGreen compliant
- EPA WaterSense Certified by IAPMO R&T



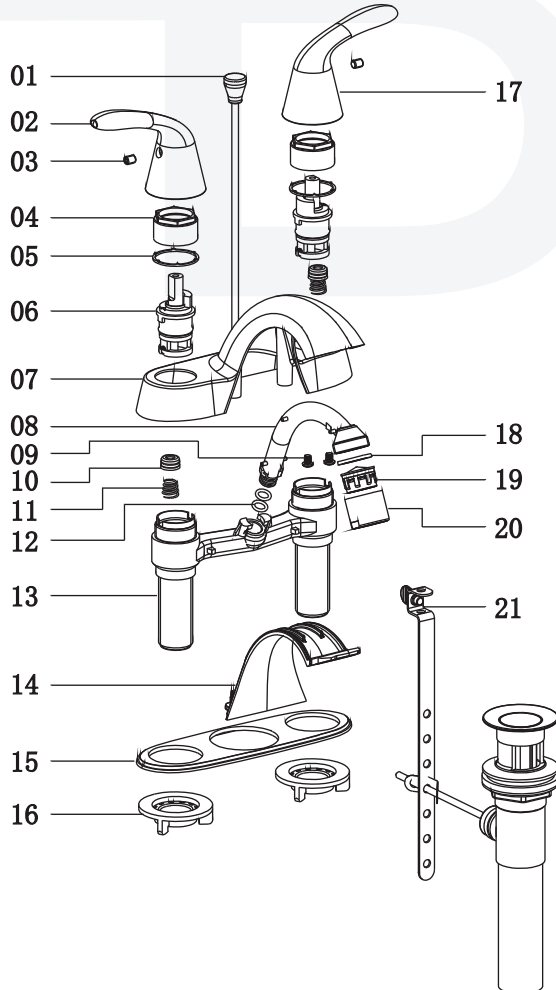
• 14433-xx

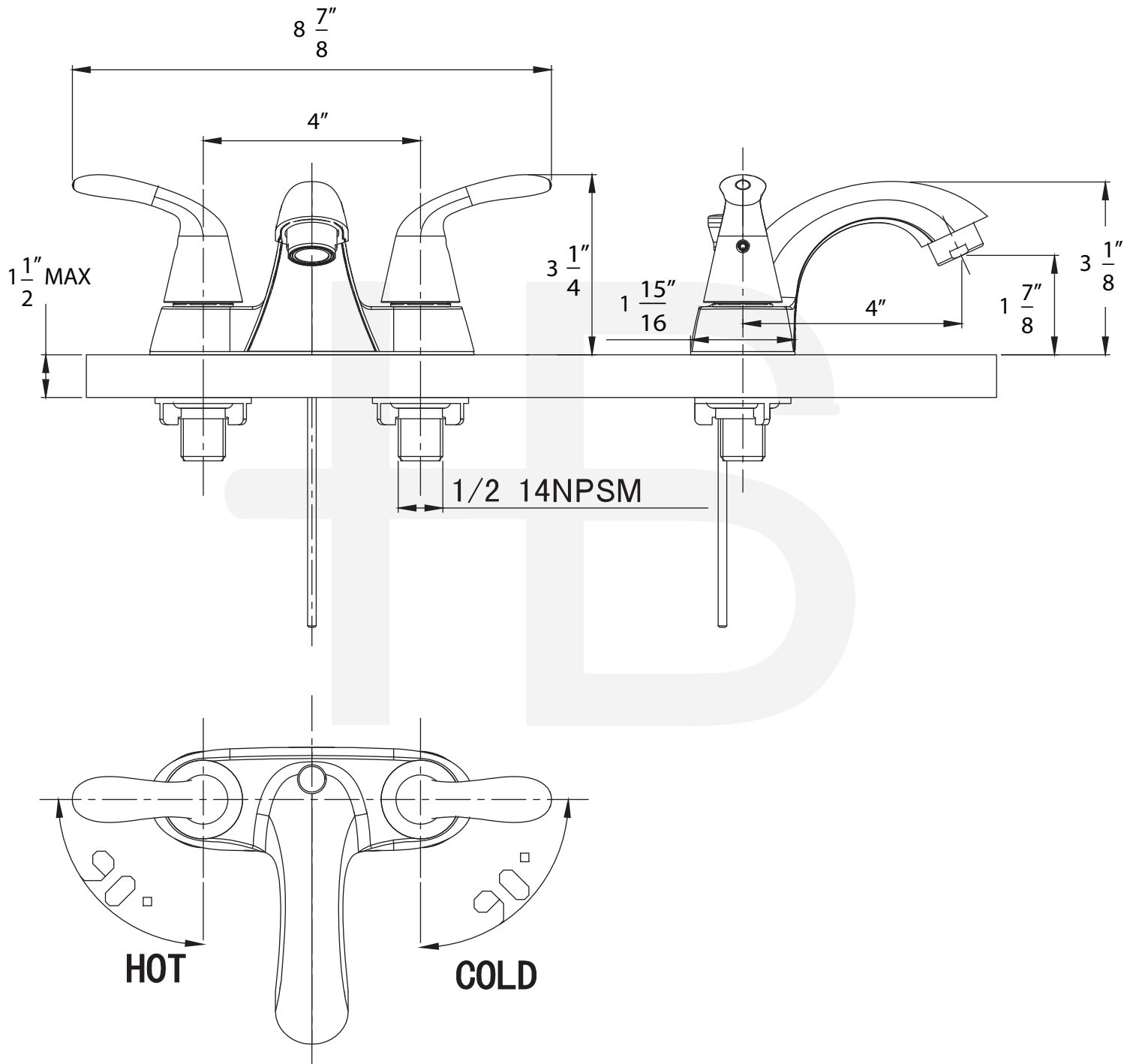
Colors / Finishes

- 01 - Chrome
- 72 - PVD Satin Nickel

BREAK DOWN Component Parts List

NO.	Part No	Qty
01	ATBM0022	1
02	CTHZ0319	1
03	CTST0117	2
04	CTNZ0004	2
05	CTWP0075	2
06	ATBA0125	2
07	CTCZ0179	1
08	CTPP0034	1
09	CTST1000	2
10	CTWR0304	2
11	CTBT0079	2
12	CTRR0042	2
13	ATBY0183	1
14	CTCP0376	1
15	CTKP0127	1
16	CTNP0011	2
17	CTHZ0320	1
18	CTWR0021	1
19	ATBX0040	1
20	CTXB0071	1
21	ATAA0062	1





Item Number	Type	Date
14433-xx	Center Set	3/23/2011