



Single Handle 4" Lavatory Faucet 12341-xx

Description

- RELIAFLO Single hole lavatory faucet
- Stainless steel ball washer-less valve
- Brass pop-up
- Use with or without deck plate
- 1/2" NPS connections
- 1.5 GPM

Standards

- ASME A112.18.1 Compliant
- Listed IAPMO / UPC & CUPC
- ADA Accessibility Guidelines for Buildings and Facilities - 4.27.4 Controls and Mechanisms (lever handle only)
- NSF - 61-9 tested and approved
- CSA B125.1 Compliant and listed
- California AB1953 compliant
- CalGreen compliant



CalGreen



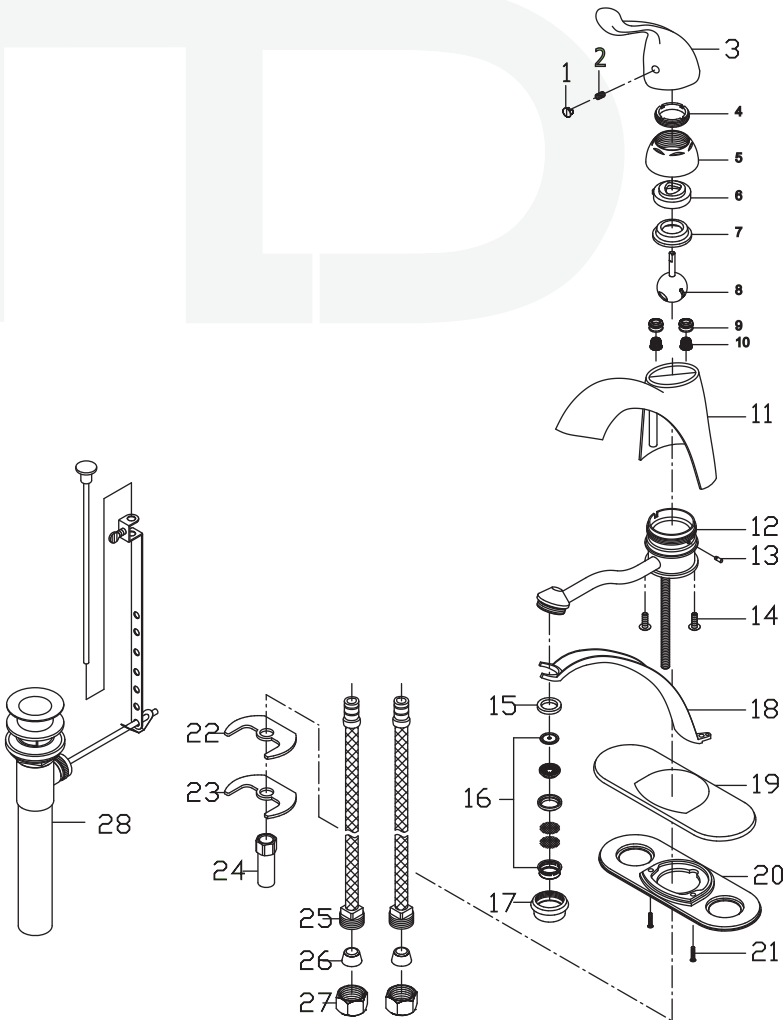
• 12341-xx

Colors / Finishes

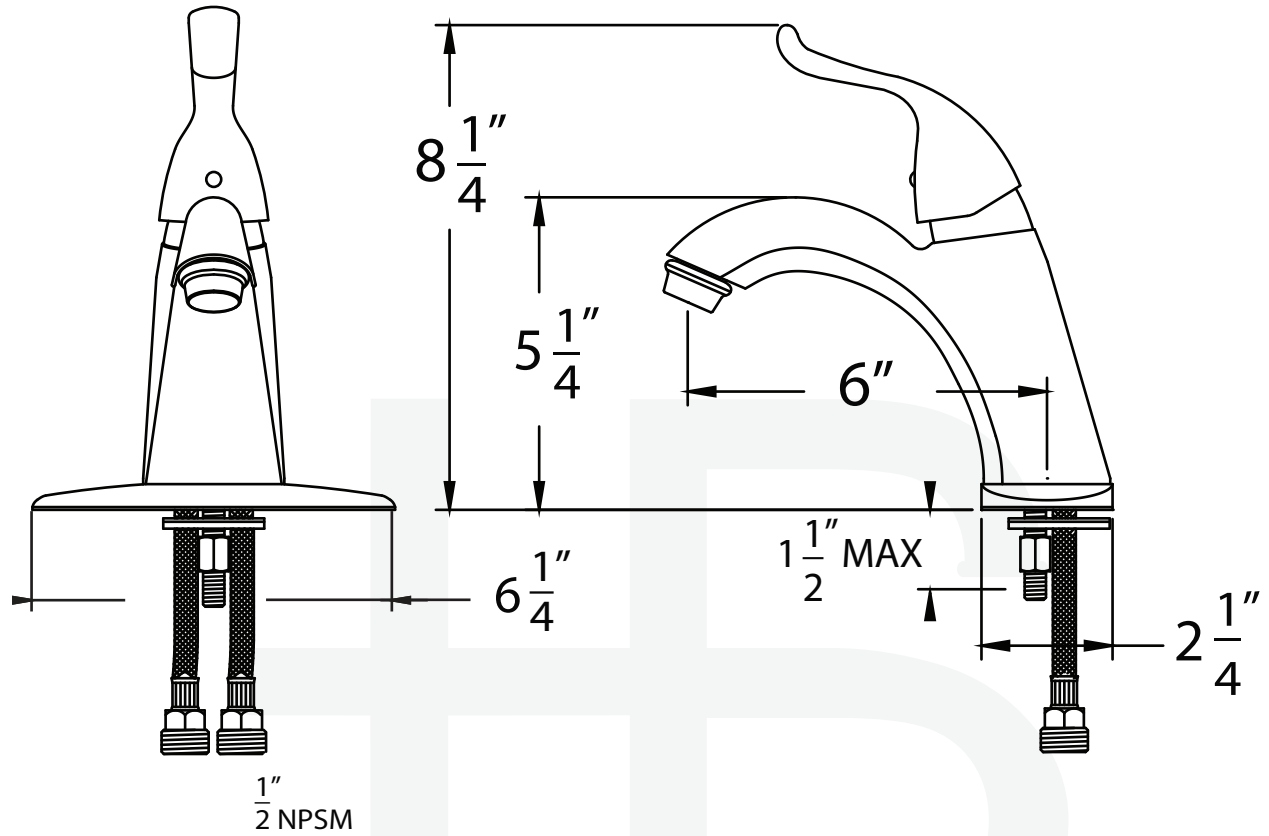
- 01 - Chrome
- 12 - Satin Nickel

BREAK DOWN

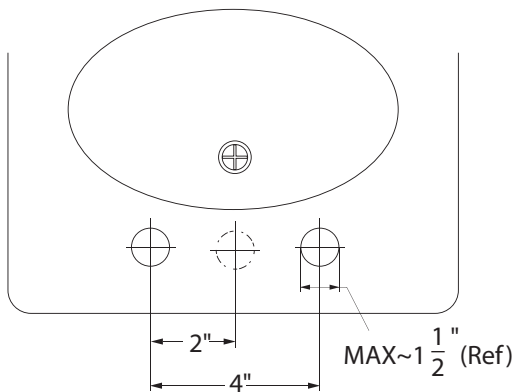
NO.	Description	Qty
01	Cap	1
02	Set Screw	1
03	Handle	1
04	Retaining Nut	1
05	Retaining cover	1
06	Cam	1
07	Packing	1
08	Ball stem	1
09	Springs	2
10	Seats	2
11	Body	1
12	Valve body	1
13	Pin	1
14	Screws	2
15	Washer	1
16	Aerator assembly	1
17	Aerator cap	1
18	Cover plate	1
19	Deck plate	1
20	Putty plate	1
21	Screws	1
22	Gasket	1
23	Mounting plate	1
24	Retaining screw	1
25	Hose	2
26	Cone washer	2
27	Nut	2
28	Pop-up Assembly	1



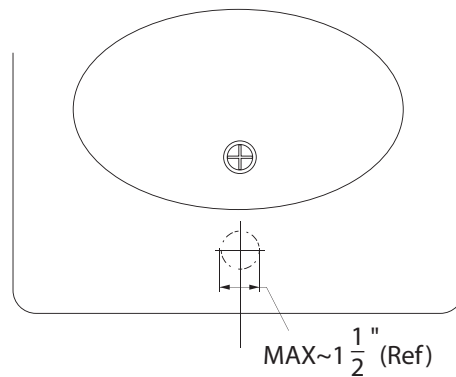
SPECIFIED MODEL



4" Center set installation with deck plate



Installation without deck plate



Item Number	Type	Date
12341-xx	Single handle Lavatory	2/11/2014