

109M-xx

Description

- Brass hand shower with brass handle
- 1 setting function

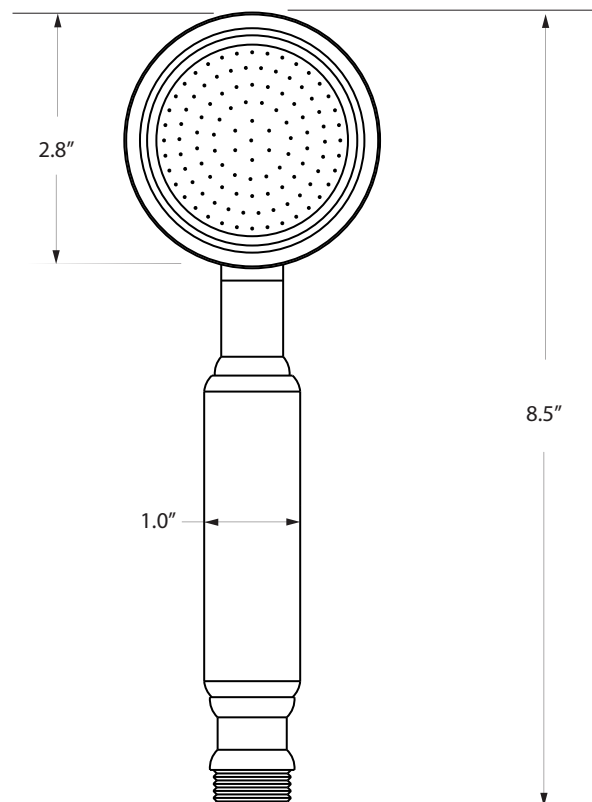
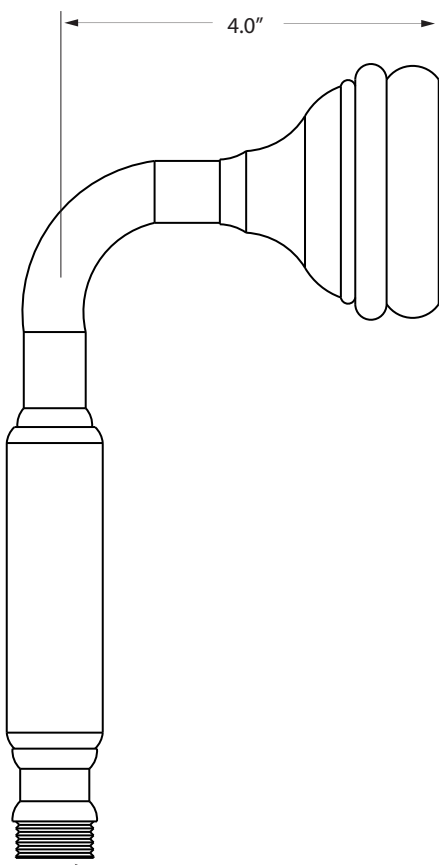
Standards

- ASME A112.18.1 Compliant
- 2.0 GPM
- Different flow rate flow restrictors are available upon requested.
- Build-in backflow prevention device (tail piece)

Colors / Finishes

- 01 - Chrome
- 20 - Antique Bronze

- 12 - Satin Nickel



Build-in backflow prevention device (check valve)