



10730-xx - Roman Tub Filler

Description

- Acrylic knob handles
- "Reliaflo" 8"- 16" roman tub filler faucet
- Solid brass spout
- 90 deg turn ceramic disc cartridges
- Quick connect spout installation
- 1/2" NPT connections
- 10 GPM

Standards

- Complies with IAPMO UPC/cUPC



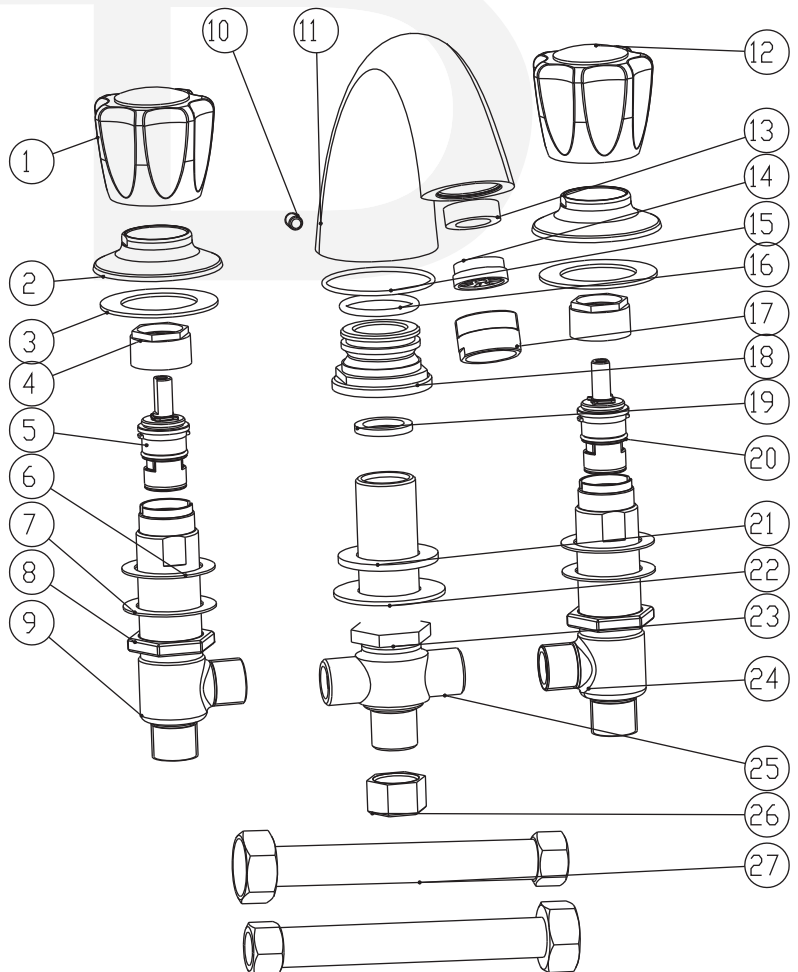
• 10730

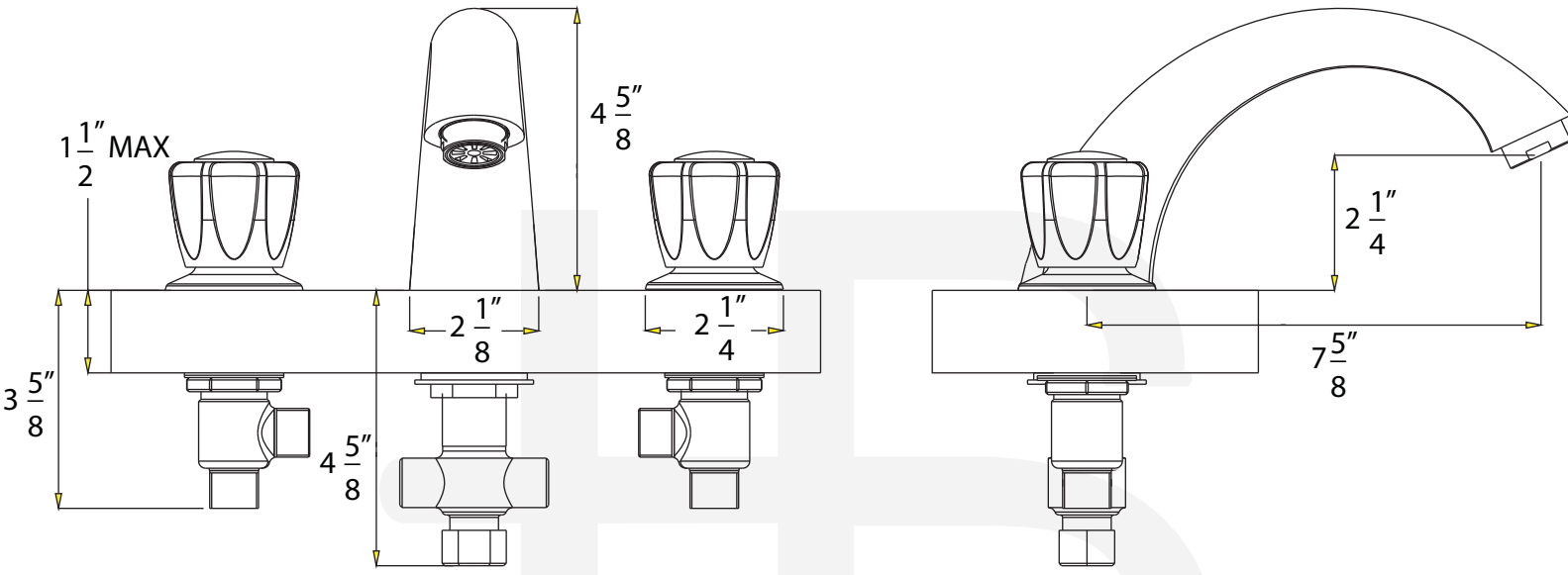
Colors / Finishes

01 - Chrome

BREAK DOWN Component Parts List

NO.	Part No	Qty
01	ATBH0074-XH	1
02	CTDB0427	2
03	CTWR0115	2
04	CTNZ0004	2
05	ATBA0128	1
06	CTWR0276	2
07	CTWT0065	2
08	CTNT0022	2
09	CTPB0500	1
10	CTST0137	1
11	CTYB0511	1
12	ATBH0074-XC	1
13	CTWR0018	1
14	CTQP0030	1
15	CTRR0085	1
16	CTRR0137	1
17	CTXB0021	1
18	CTDB0131	1
19	CTWR0146	1
20	ATBA0127	1
21	CTWR0217	1
22	CTWT0038	1
23	CTNB0156	1
24	CTPB0501	1
25	CTPB0188	1
26	CTTB0014	1
27	ATBP0157	2





Item Number	Type	Date
10730-xx	ROMAN TUB FILLER	3/1/2011