



Shower valve rough in - 04120P-00

Description

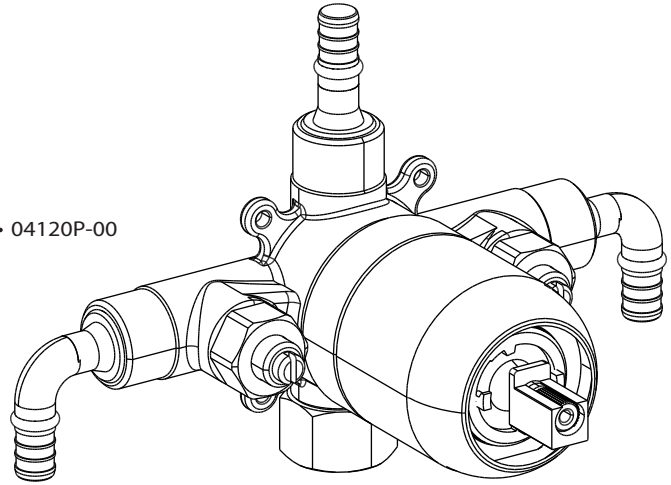
- Ceramic disc valve
- Pressure Balanced cartridge
- Hot and cold one way check valves
- Forged brass valve body
- Universal 1/2" IPS and 1/2" CC fittings
- Hot and Cold service stops
- Back to back installation
- 4 Anchor points for face plate installation and blocking to secure valve in wall
- 1/2" PEX inlet and shower outlet

Standards

- Complies with IAPMO UPC/cUPC
- ASSE 1016-2011 compliant

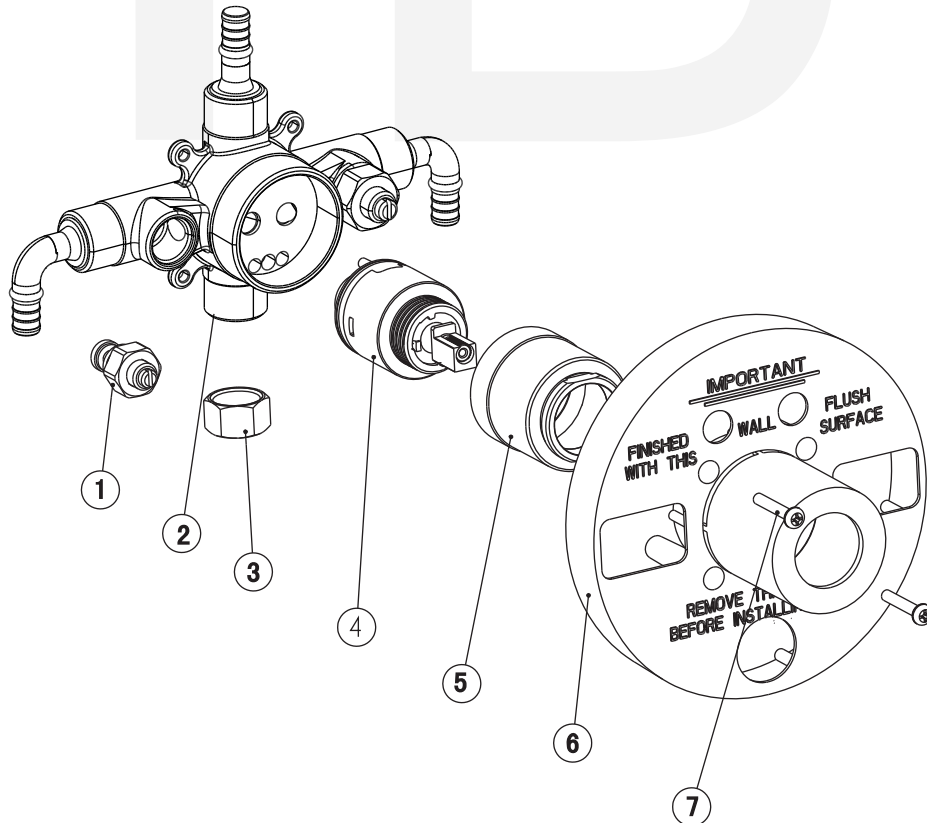


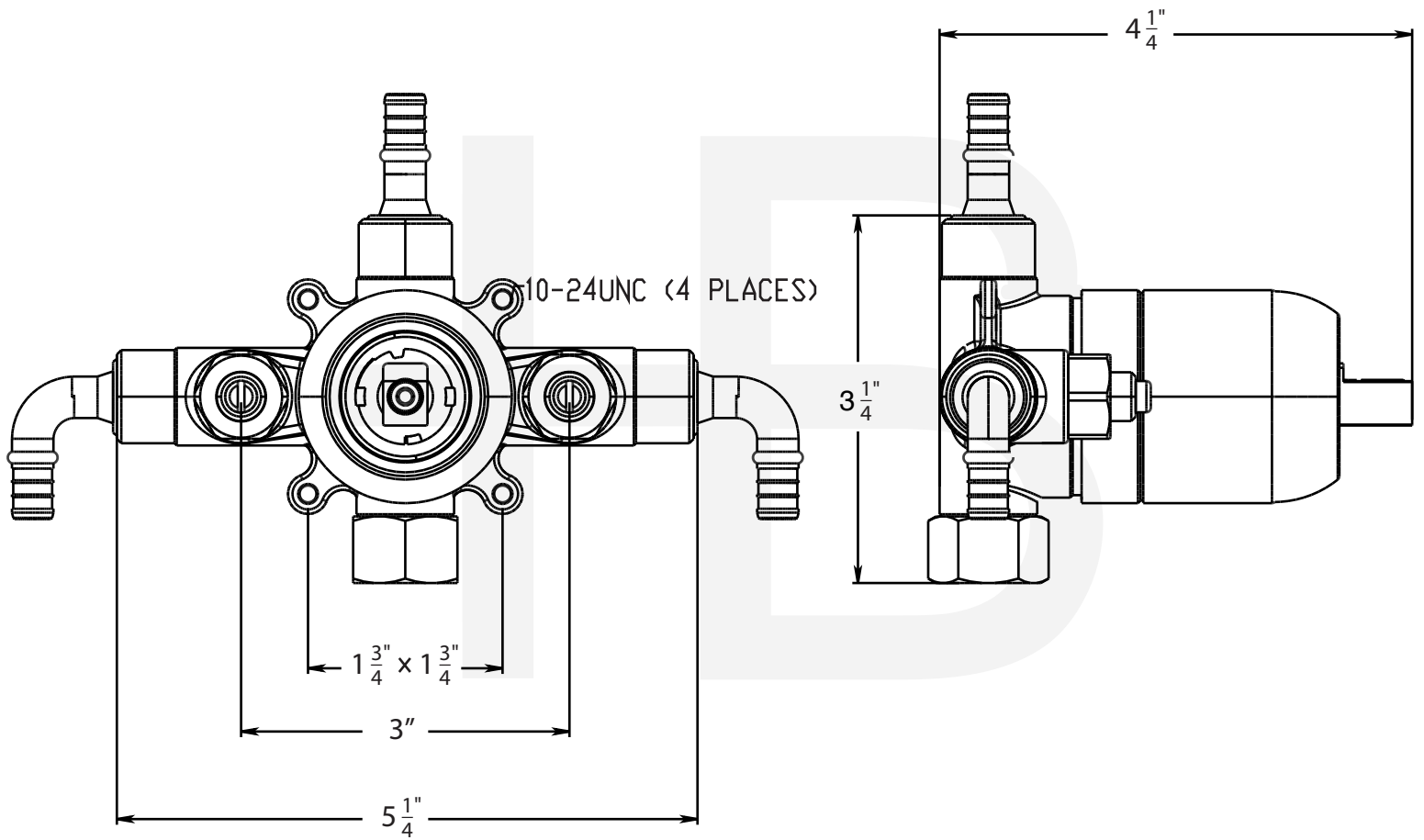
• 04120P-00



BREAK DOWN Component Parts List

| NO. | Part No | Qty |
|-----|----------|-----|
| 01 | ATBA0109 | 2 |
| 02 | ATBY0176 | 1 |
| 03 | CTTB0038 | 1 |
| 04 | ATBA3002 | 1 |
| 05 | CTCB0615 | 1 |
| 06 | CTCP0361 | 1 |
| 07 | CTST1005 | 2 |





| Item Number | Type | Date |
|-------------|----------------|-----------|
| 04120P-00 | Rough-in Valve | 4-18-2013 |