

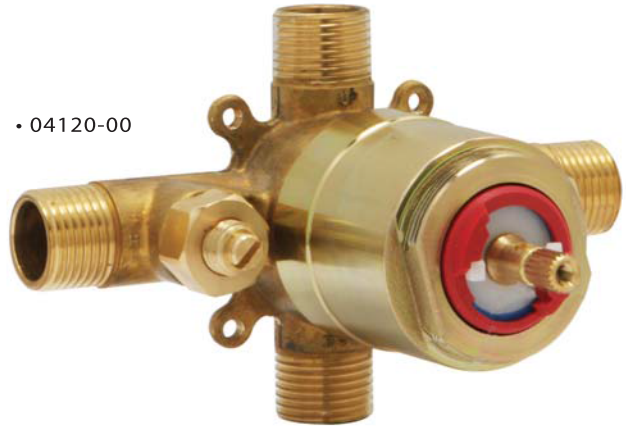


Shower valve rough in - 04120-00

Description

- Ceramic disc valve
- Pressure Balanced cartridge
- Hot and cold one way check valves
- Forged brass valve body
- Universal 1/2" IPS and 1/2" CC fittings
- Hot and Cold service stops
- Back to back installation
- 4 Anchor points for face plate installation and blocking to secure valve in wall

• 04120-00



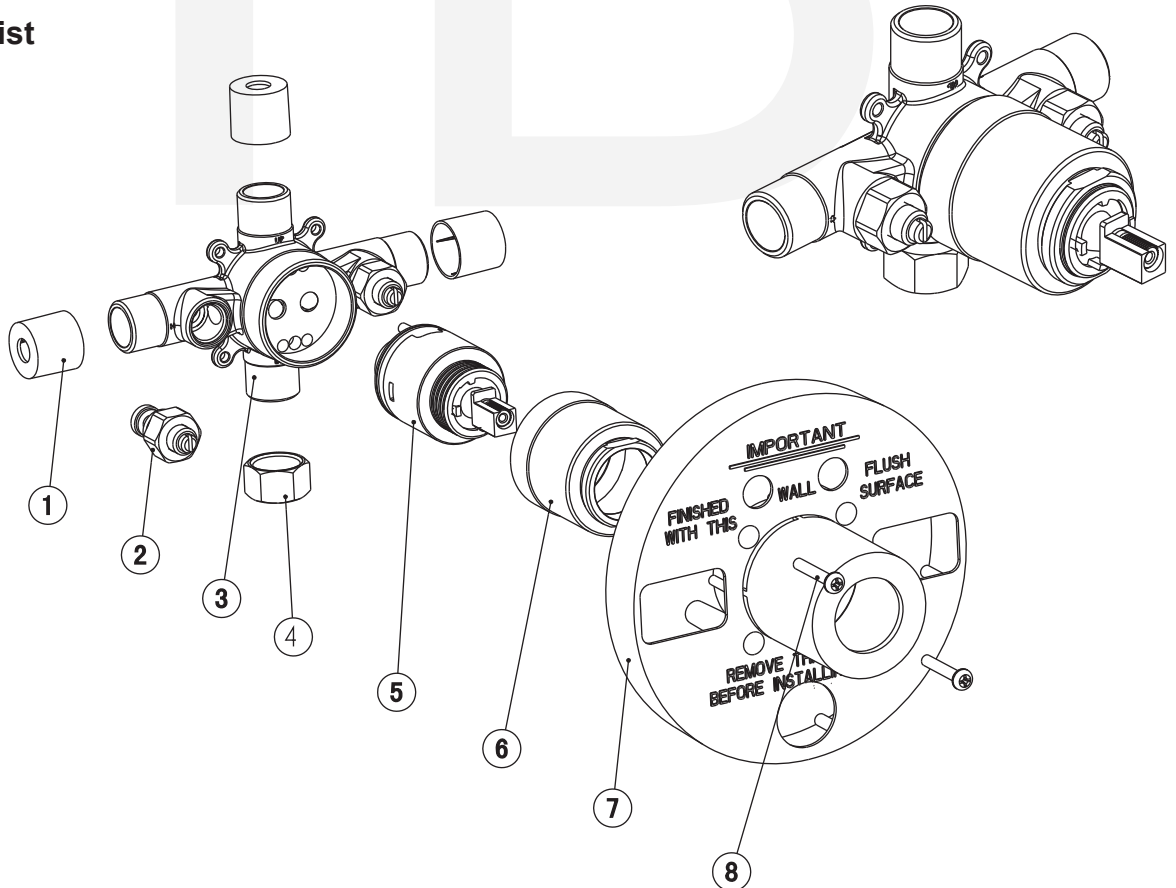
Standards

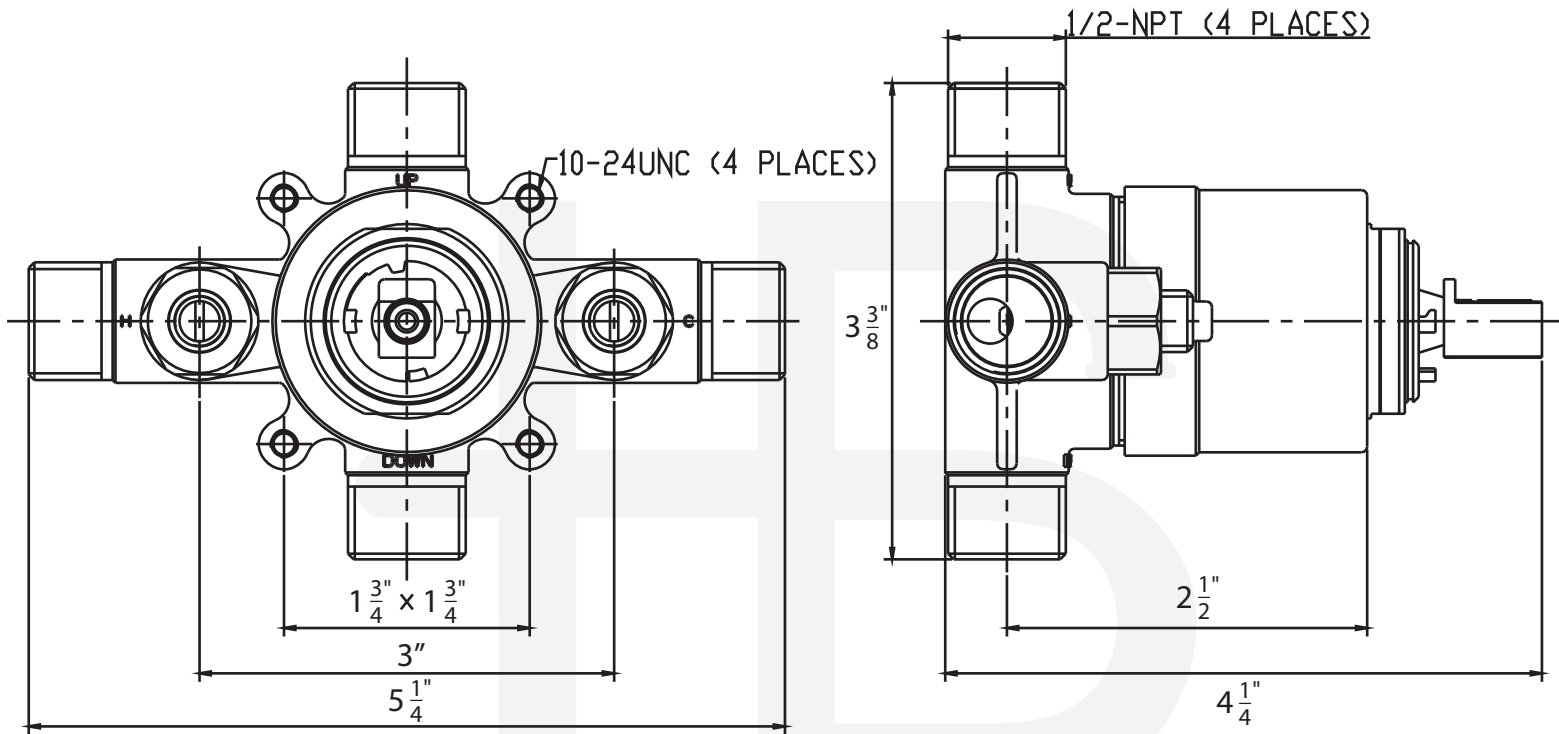
- Complies with IAPMO UPC/cUPC
- ASSE 1016-2011 compliant



BREAK DOWN Component Parts List

| NO. | Part No | Qty |
|-----|----------|-----|
| 01 | CTCP0362 | 3 |
| 02 | ATBA0109 | 2 |
| 03 | ATBY0176 | 1 |
| 04 | CTTB0038 | 1 |
| 05 | ATBA3002 | 1 |
| 06 | CTCB0615 | 1 |
| 07 | CTCP0361 | 1 |
| 08 | CTST1005 | 2 |





| Item Number | Type | Date |
|-------------|----------------|-----------|
| 04120-00 | Rough-in Valve | 2/22/2011 |