



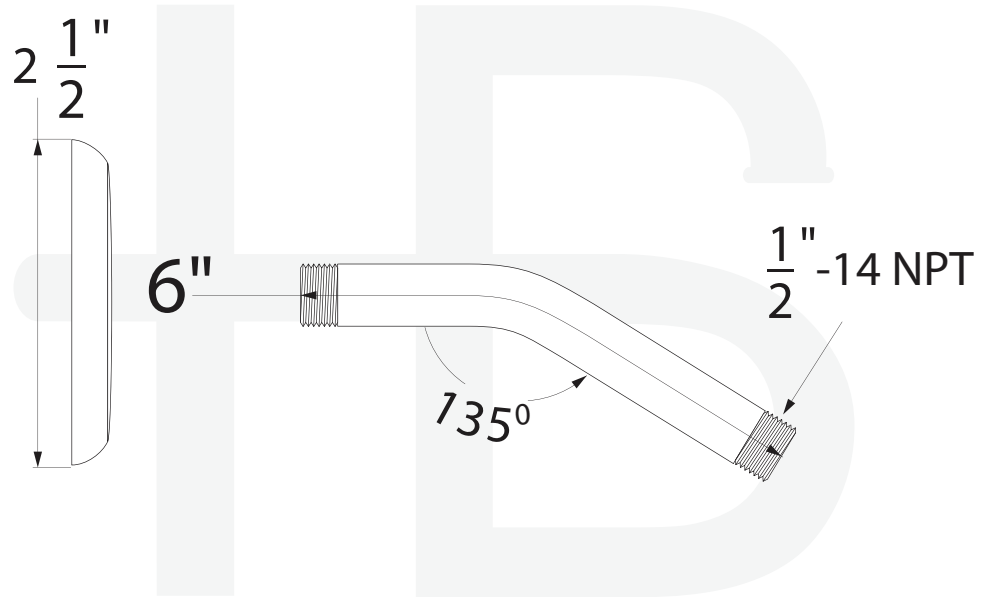
03211-xx Shower Arm

Description

- 6" brass shower arm
- With stamped flange
- Standard 1/2" connections

Colors / Finishes

- 01 - Chrome
- 72 - PVD Satin Nickel
- 20 - Antique Bronze



Item Number	Type	Version	Date
03211-xx	SHOWER ARM		6-17-2011